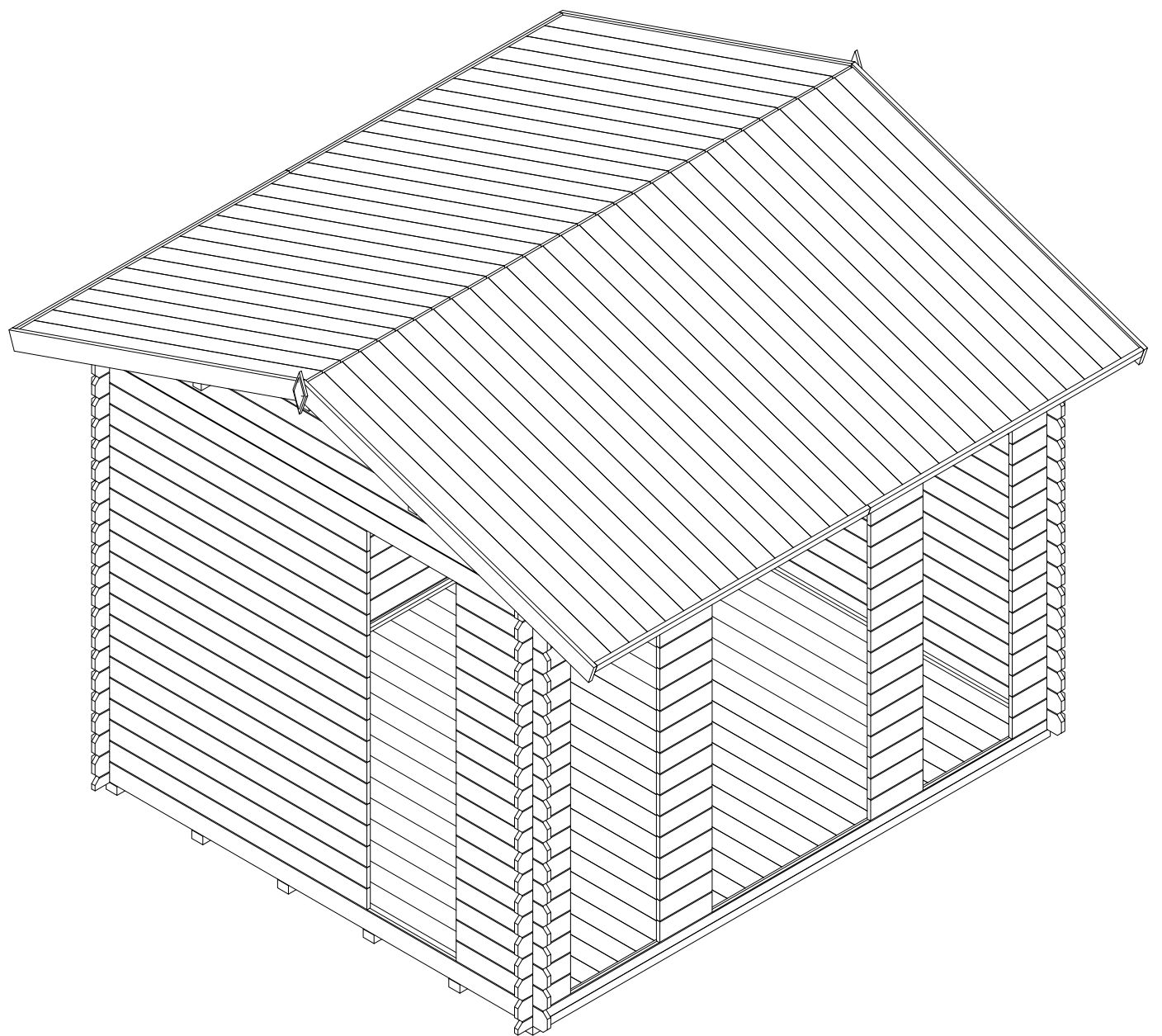
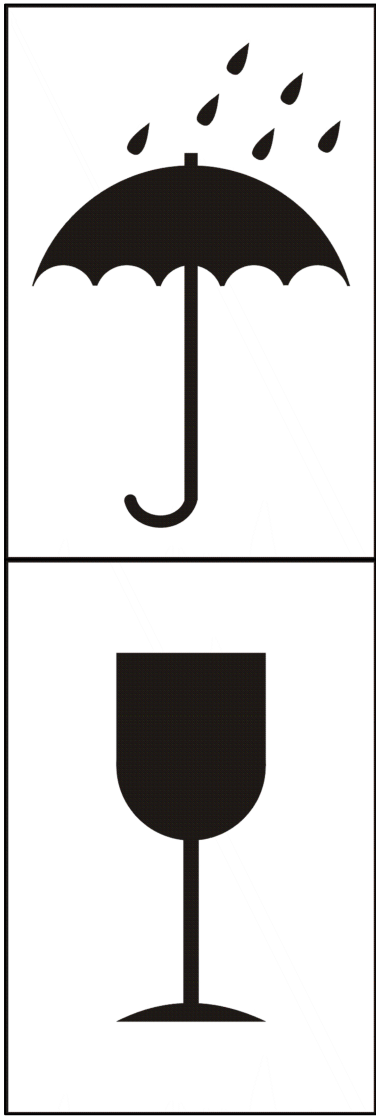
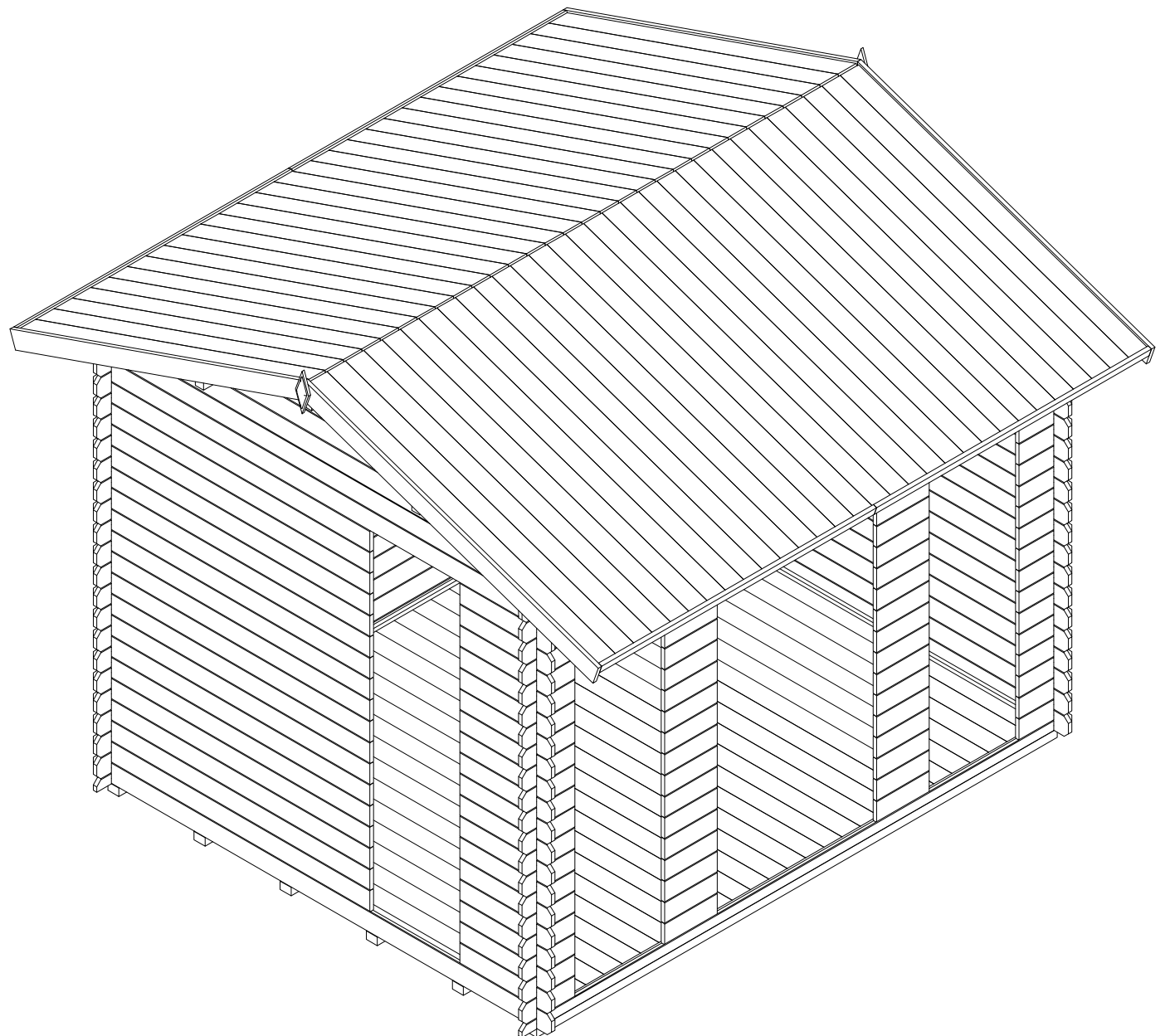
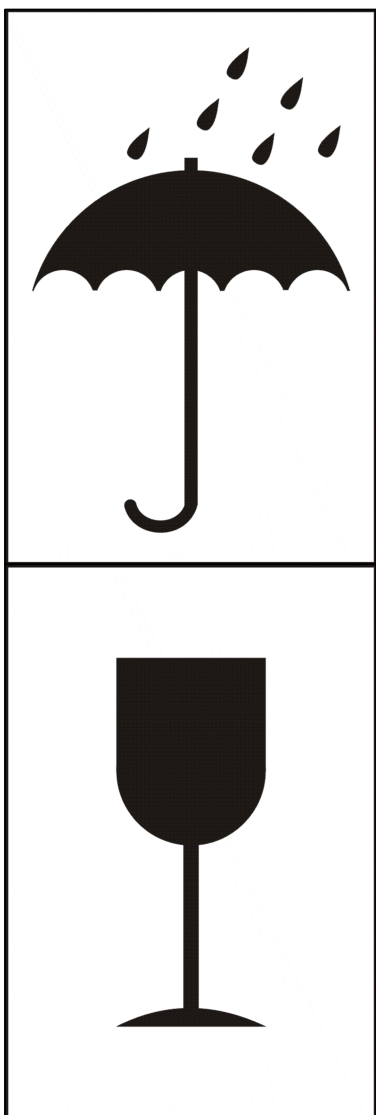


**MM 016 3x2.5m 19mm**



**MM 016 3x2.5m 19mm**

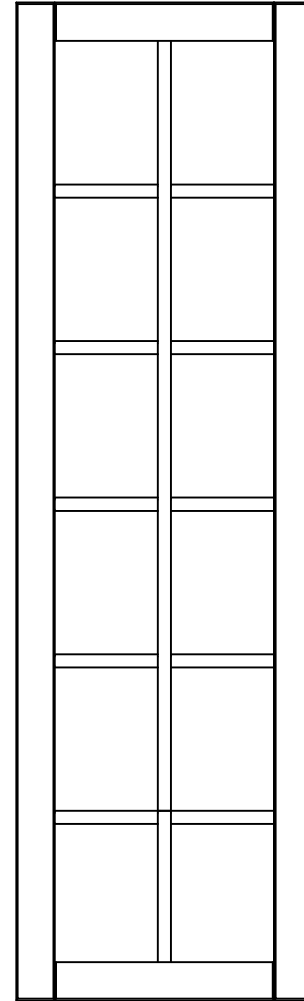
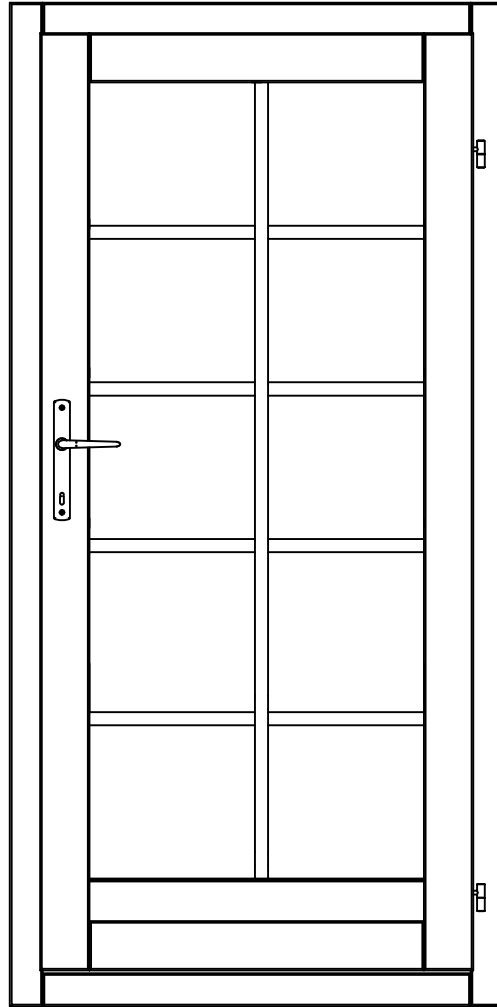
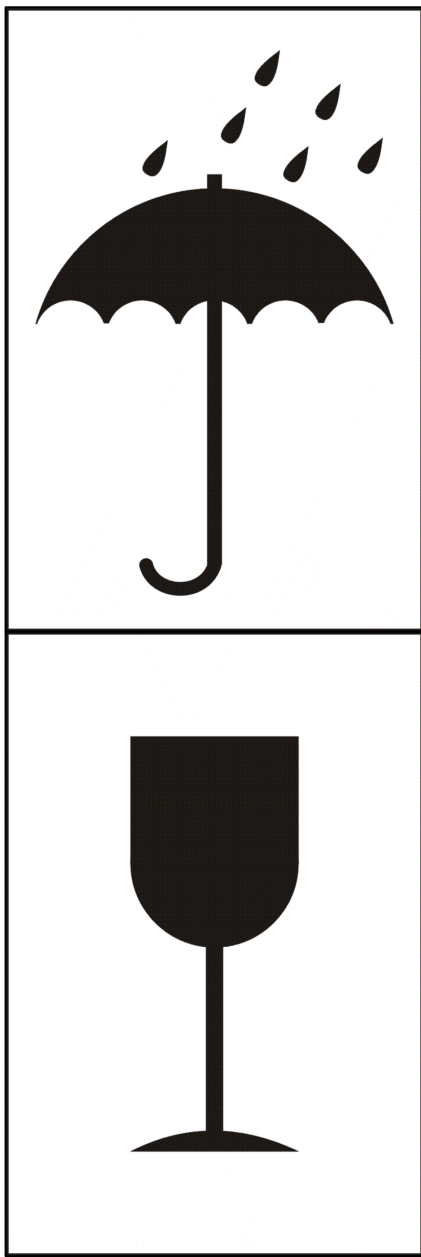


**MM 016 3x2.5m 19mm**

# New Log 3.5x3 19mm

House - 1 psc

House - 3 psc

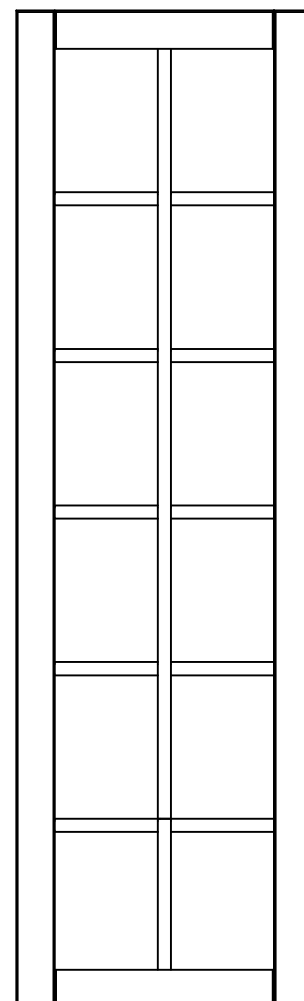
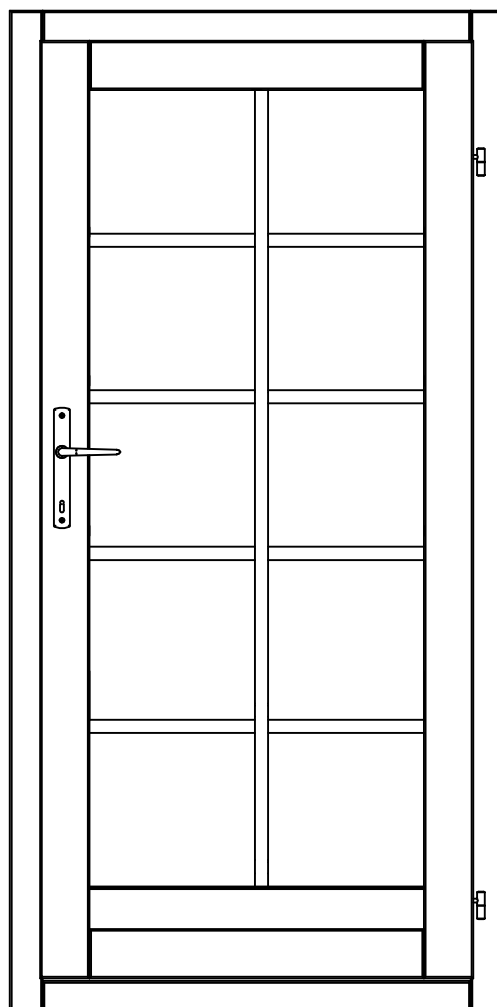
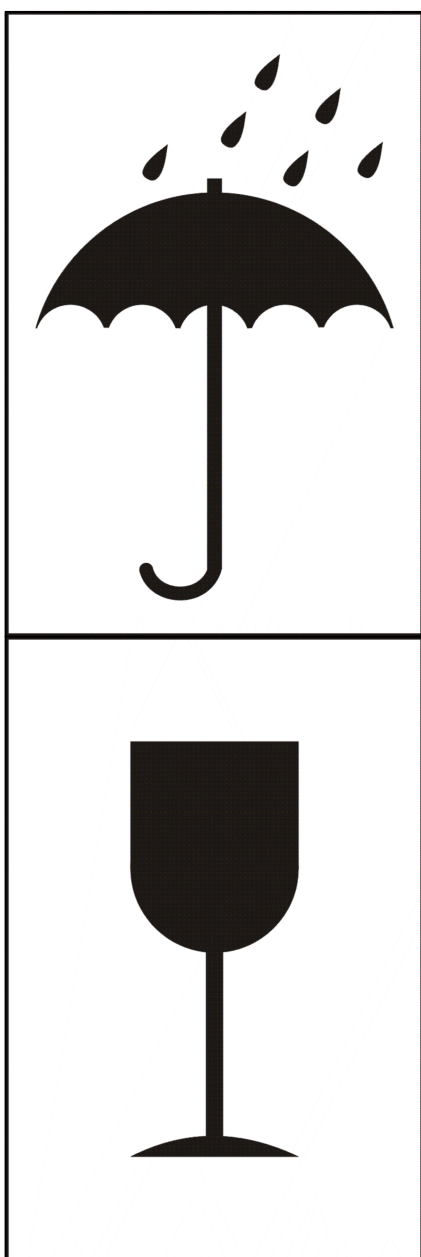


2/2

# New Log 3.5x3 19mm

House - 1 psc

House - 3 psc



2/2

# MM 016 3x2.5

300x250 cm  
19 mm 2015.06.05

# BE 2015

-Date-

Degree <71°		Dimensions, mm			Pos.	Quantity
		A	B	C		
		2720	40	55/60	1	6
		2340	40	55/60	1a	2
		2292	19	100/86	2	28/33
			19	24	3	~ 21 meters
		3000	19	50	4	2
		288	19	100	5	36
		287	19	100	6	36
		3000	19	100	7	1
		3000	19	100	8	21
		3000	19	50	9	2
		2500	19	100	10	22
		1510	19	100	11	18
		500	19	100	12	18
		3000	40	110	13	2
		3000	40	110	14	1
		1670	19	100/86	15	60/70
		1700	19	90	16	4
		1500	19	40	17	4
		200	100		18	2
		1700	19	40	19	4
		2500	493		F-2,4	2
		870	1850		20	1
		490	1800		21	3
		1880	19	40	22	4
		300	19	100	F	6 Banging blocks
		1880	19	40	23	6

-Packing No.-

-Name.lastname-

-Signature-

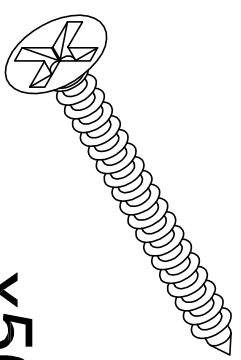
# Log MM 016

300x250 cm

**BE 2015**

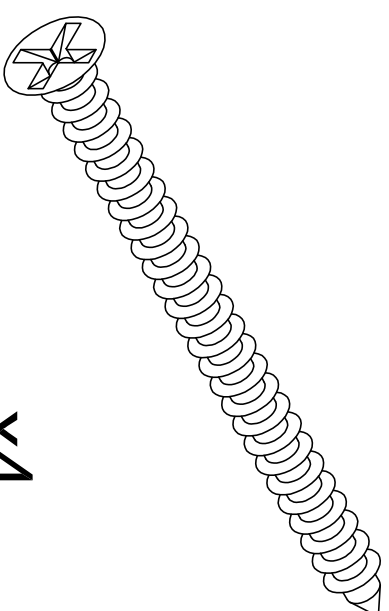
19 mm 2015.06.05

3.5x35 mm



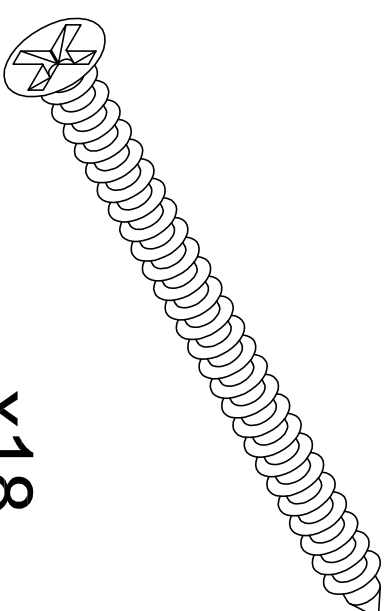
X56

5x70 mm



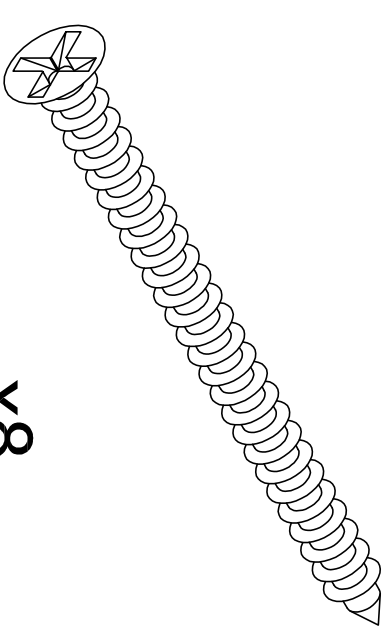
X4

5x100 mm



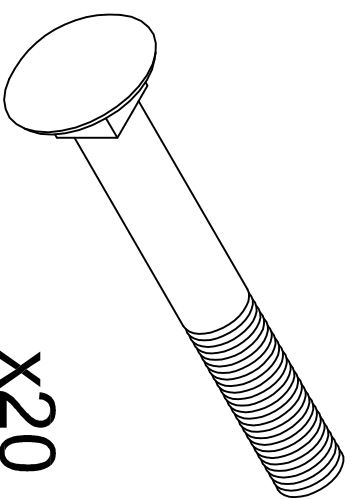
X18

5x120 mm



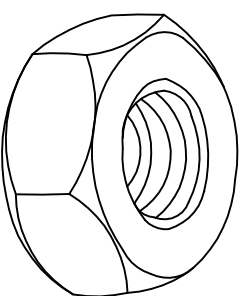
X8

8x60 mm



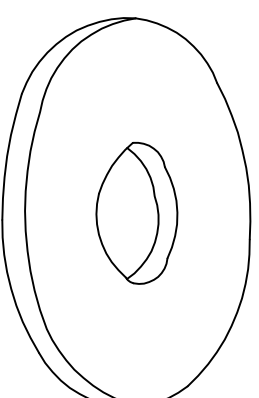
X20

M8



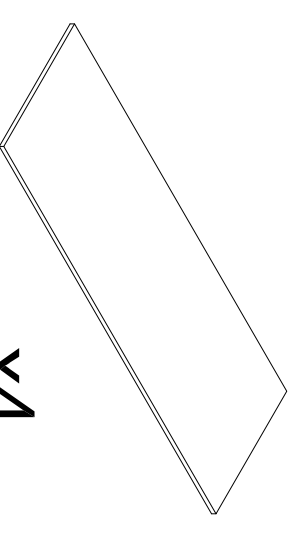
X20

M8

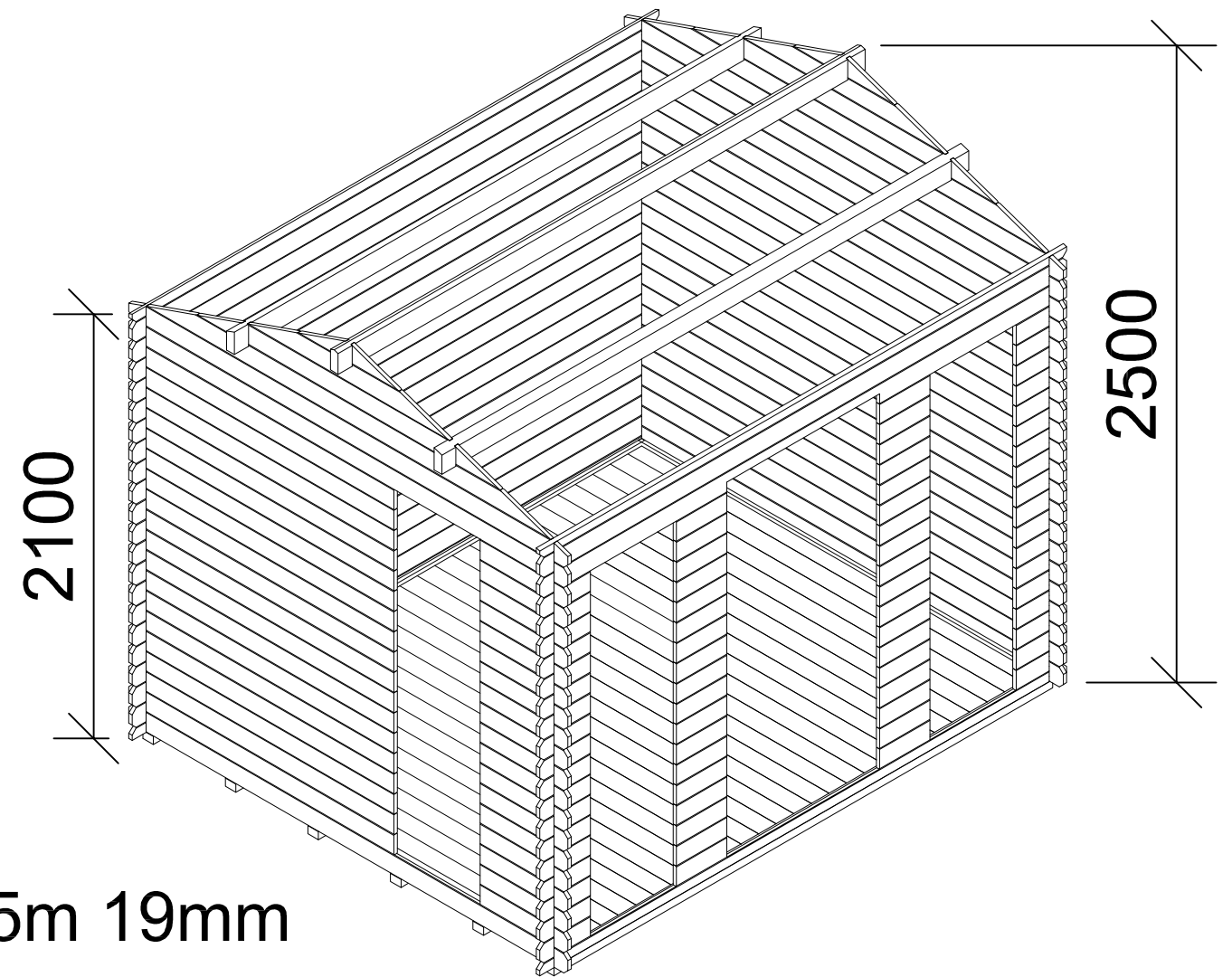
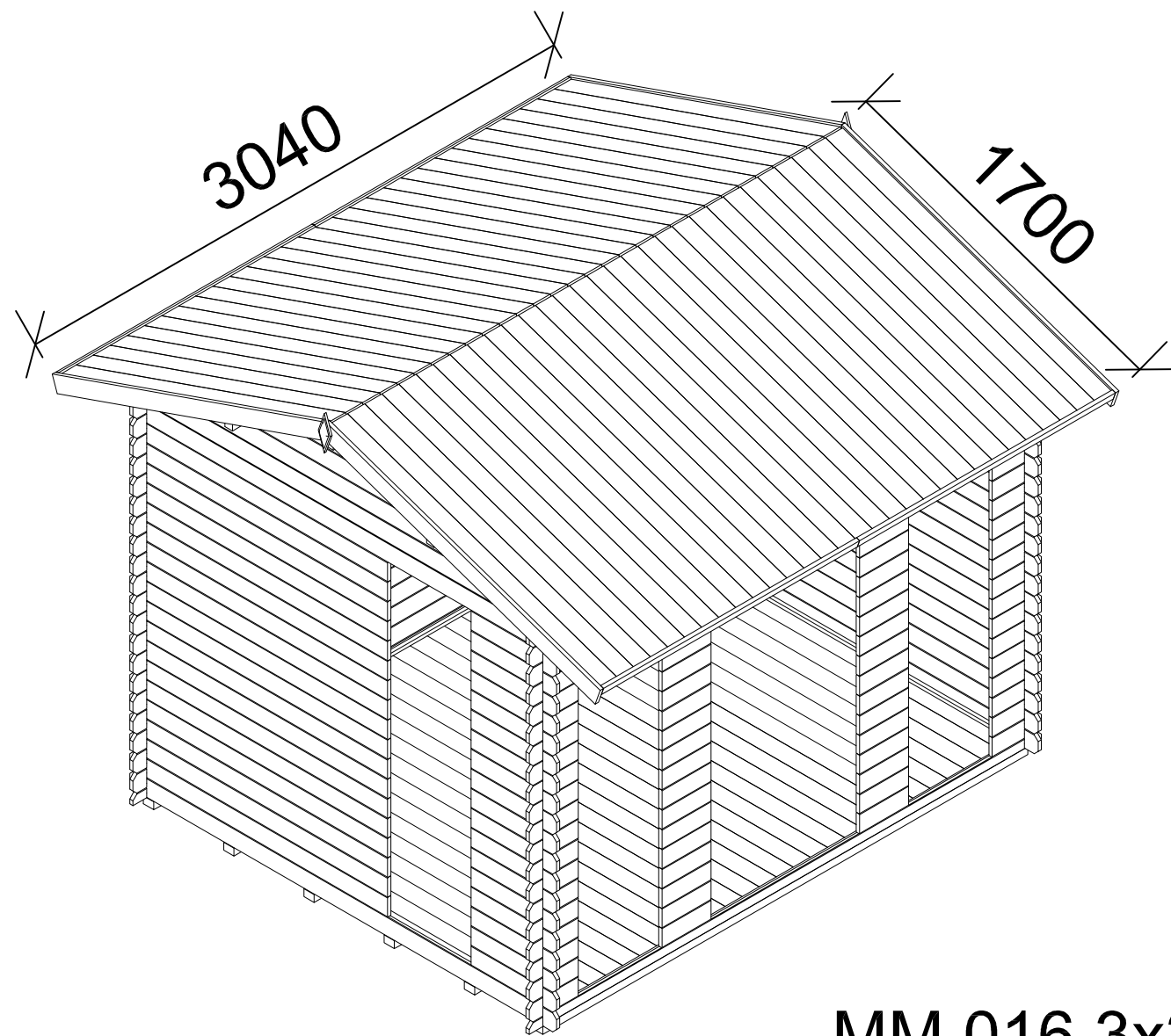


X20

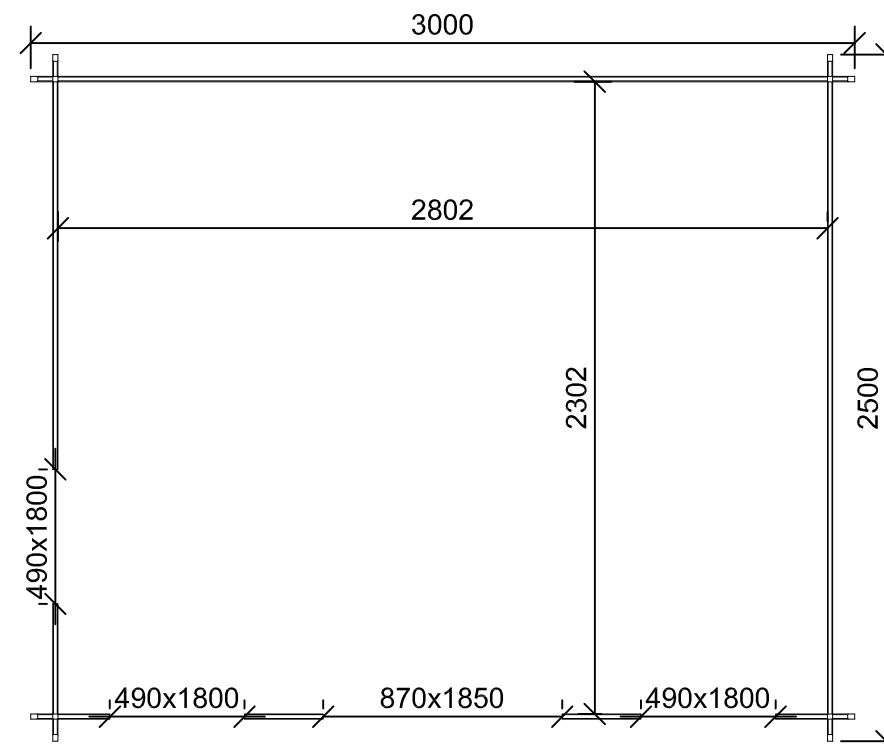
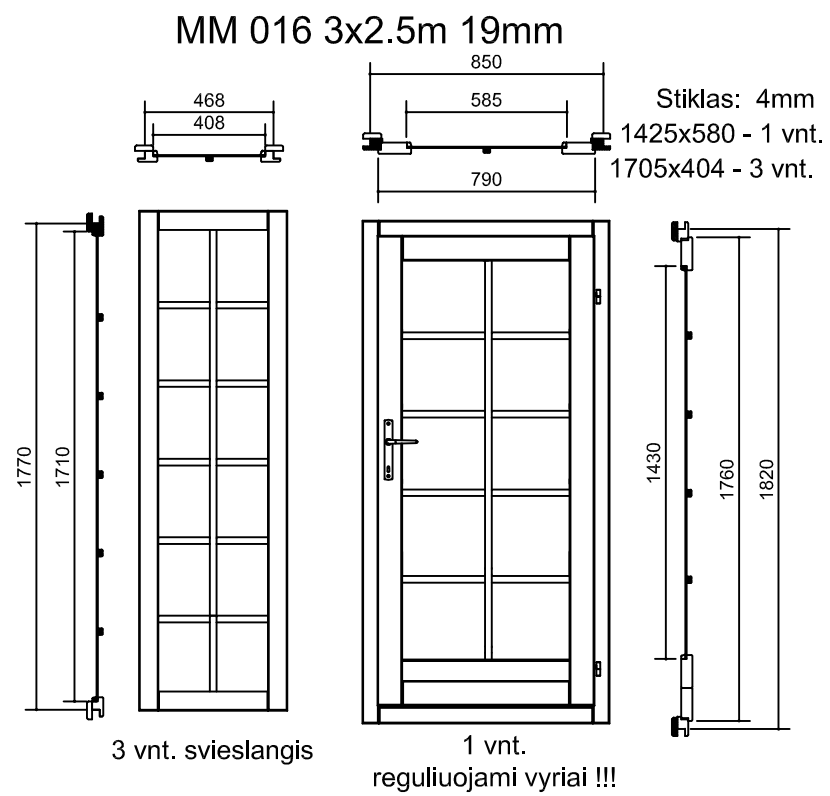
3 mm

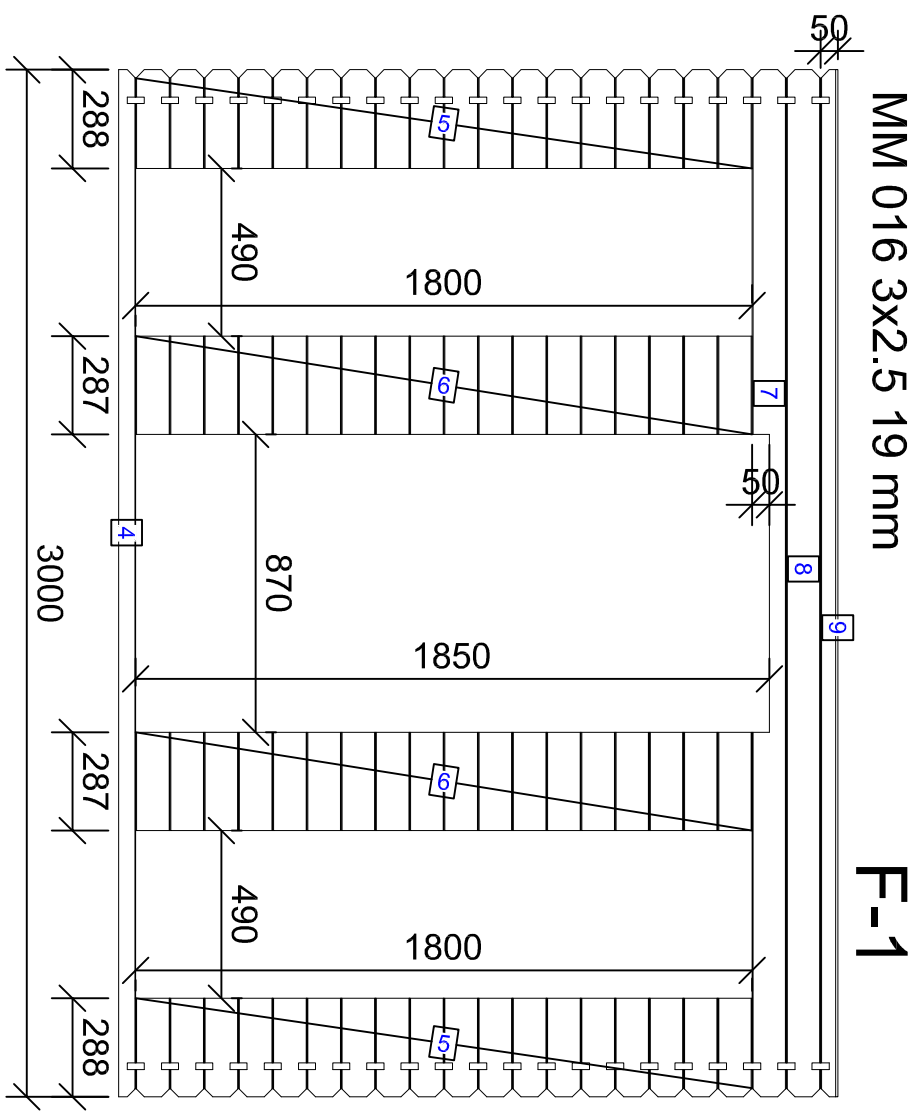


X4



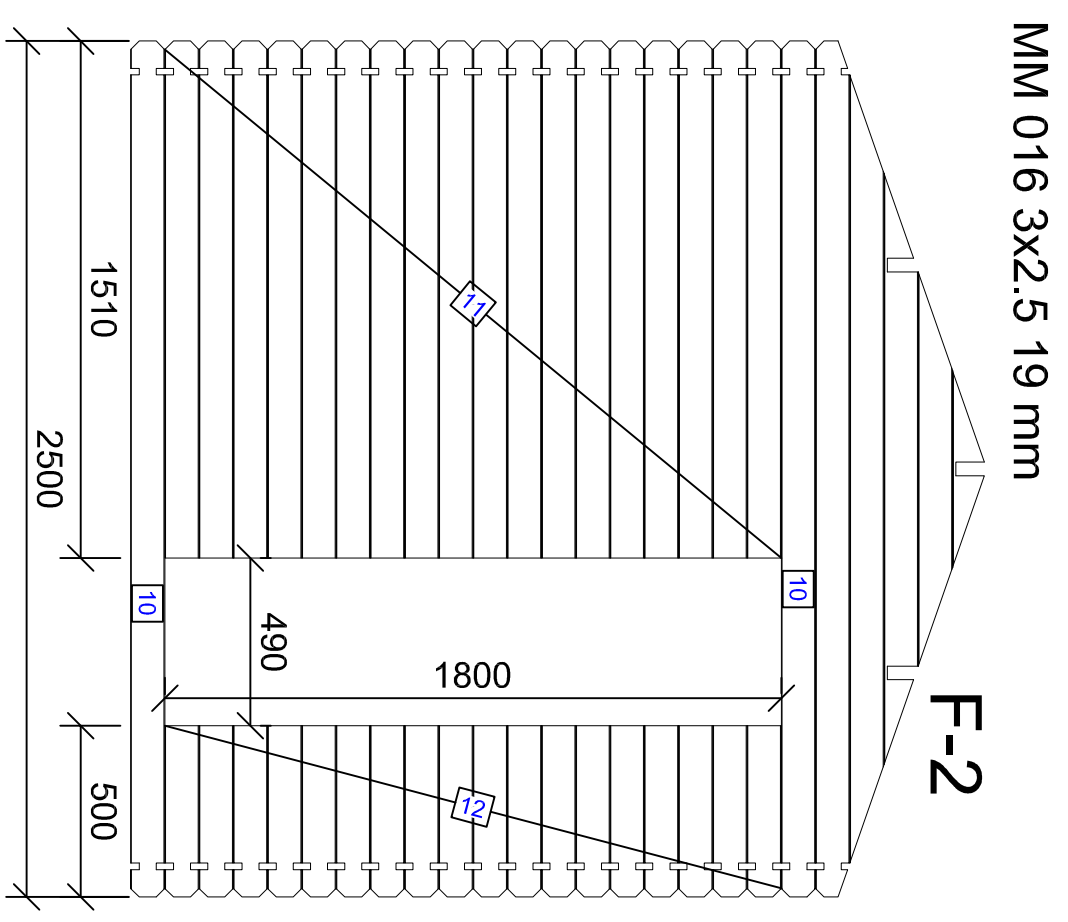
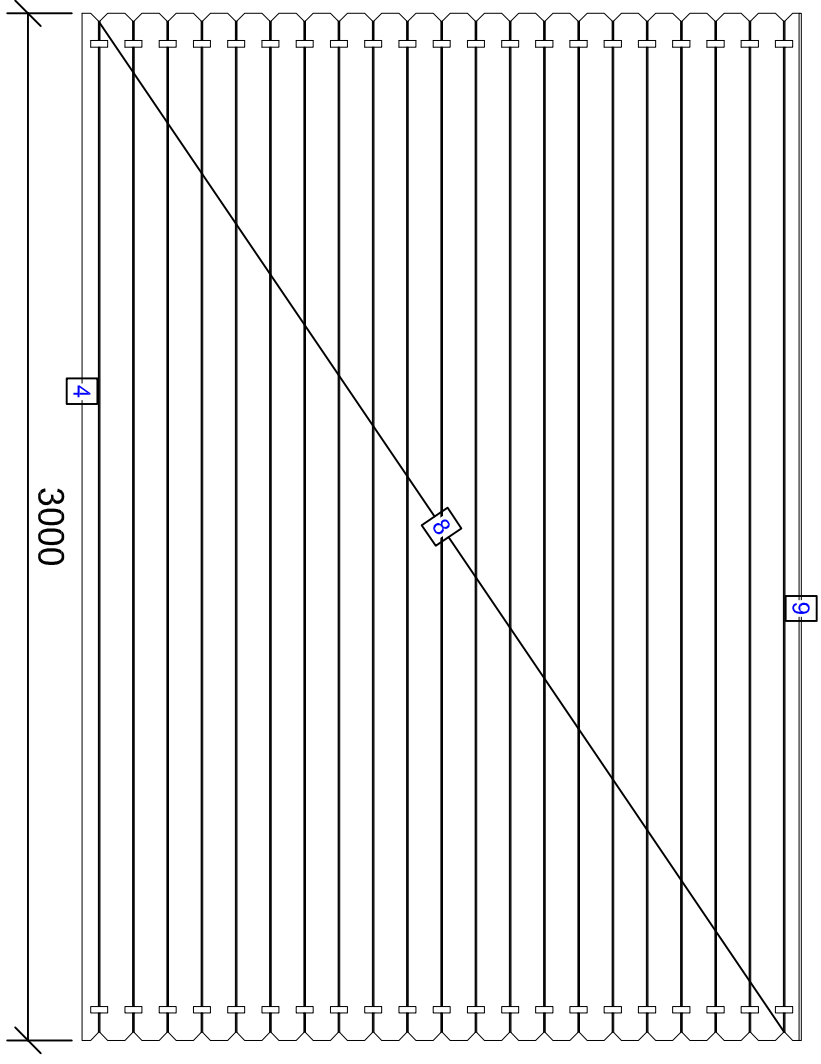
MM 016 3x2.5m 19mm





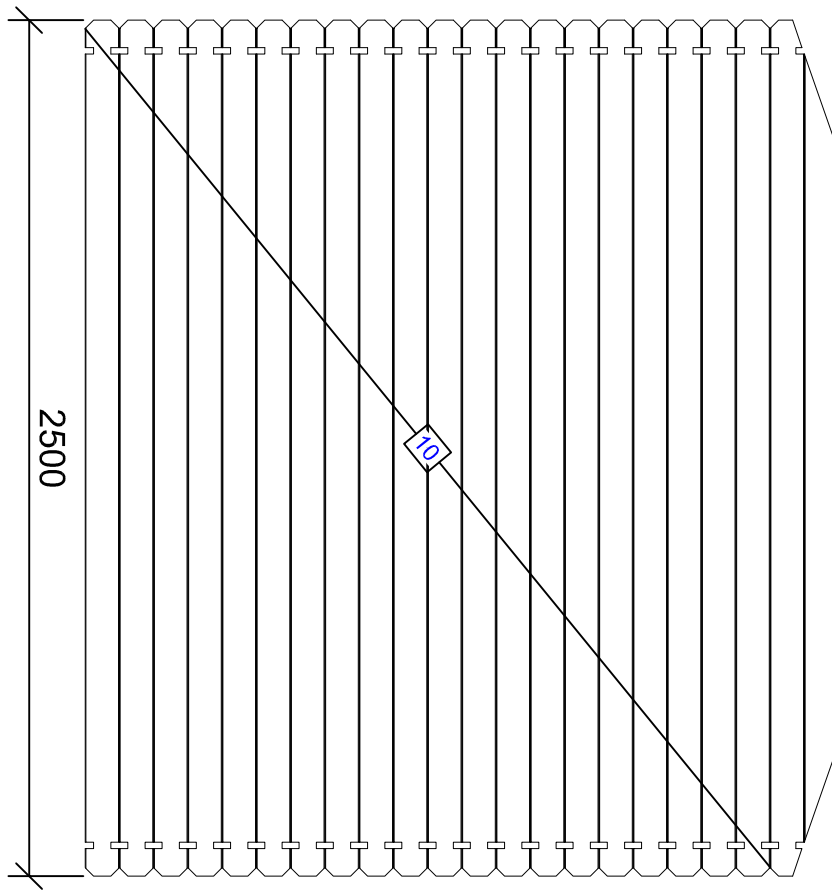
MM 016 3x2.5 19 mm

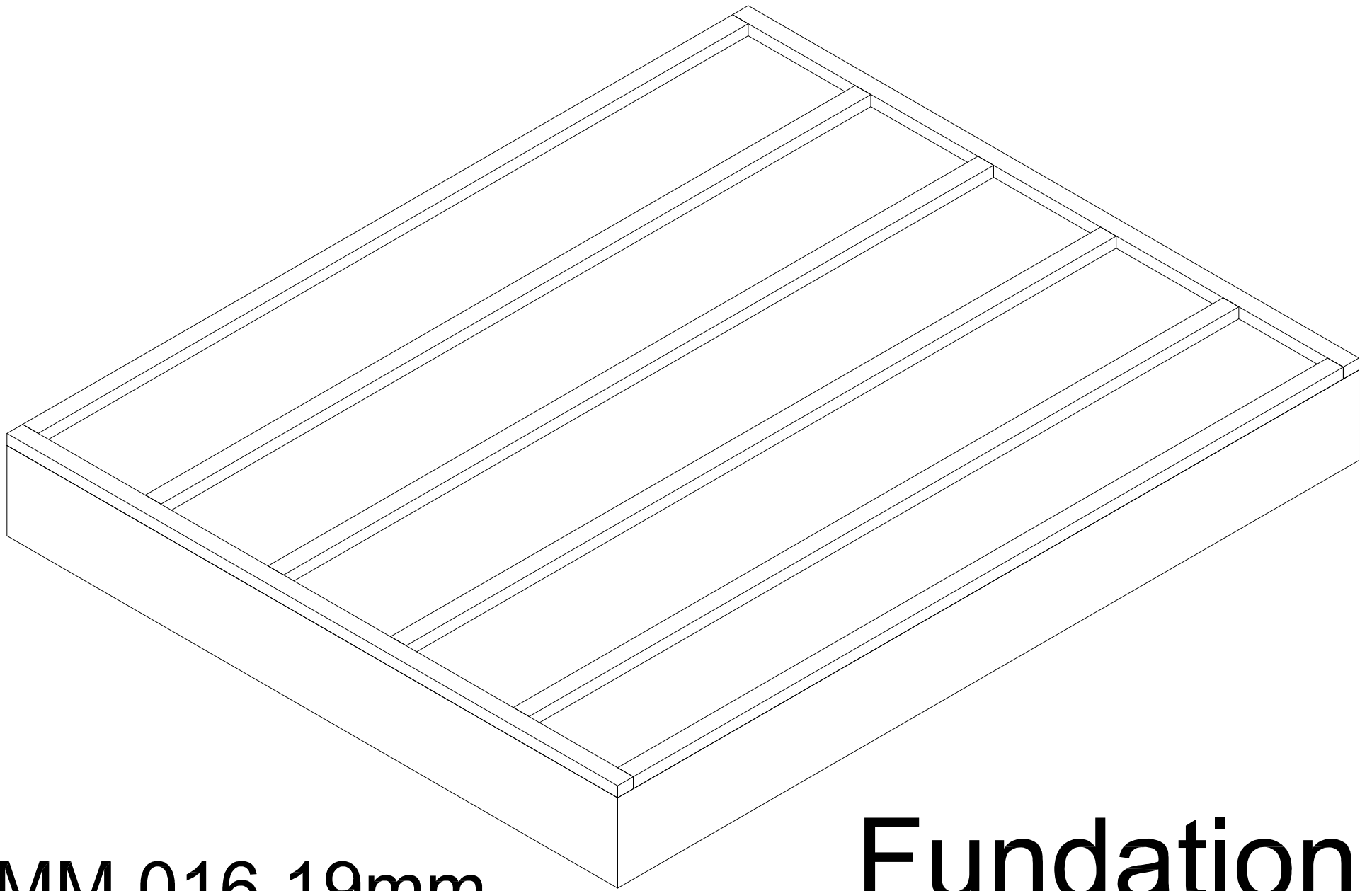
F-3



MM 016 3x2.5 19 mm

F-4

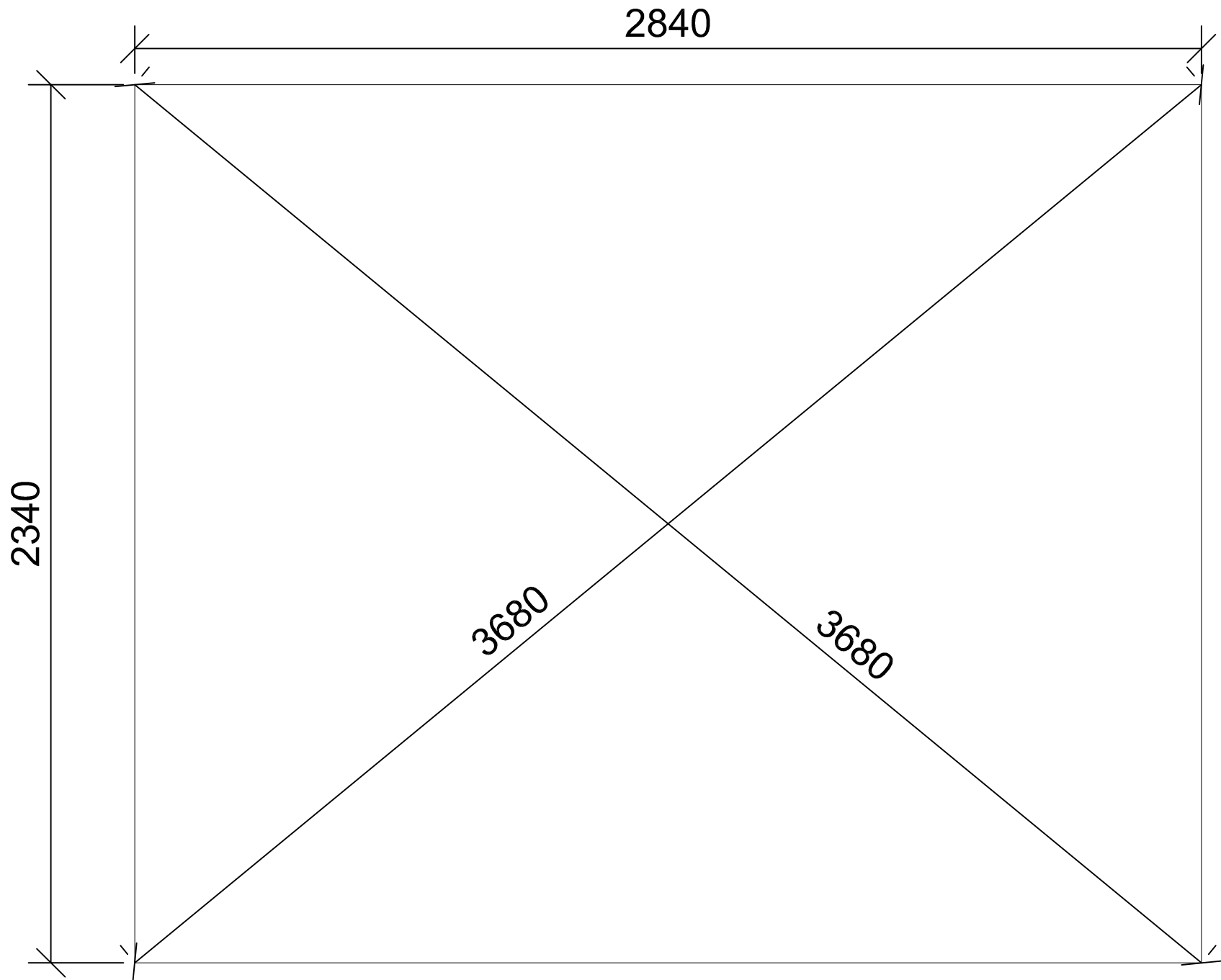




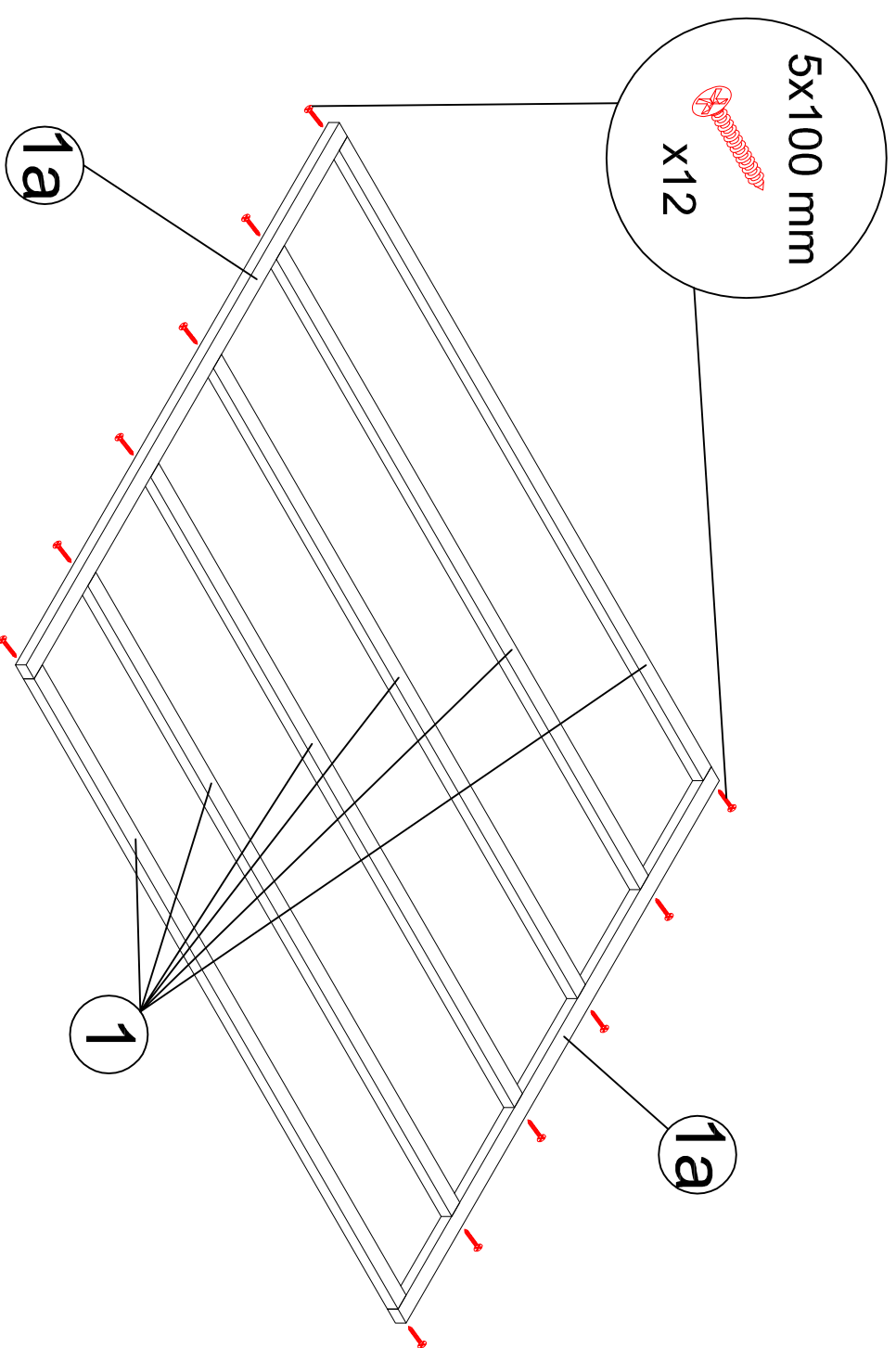
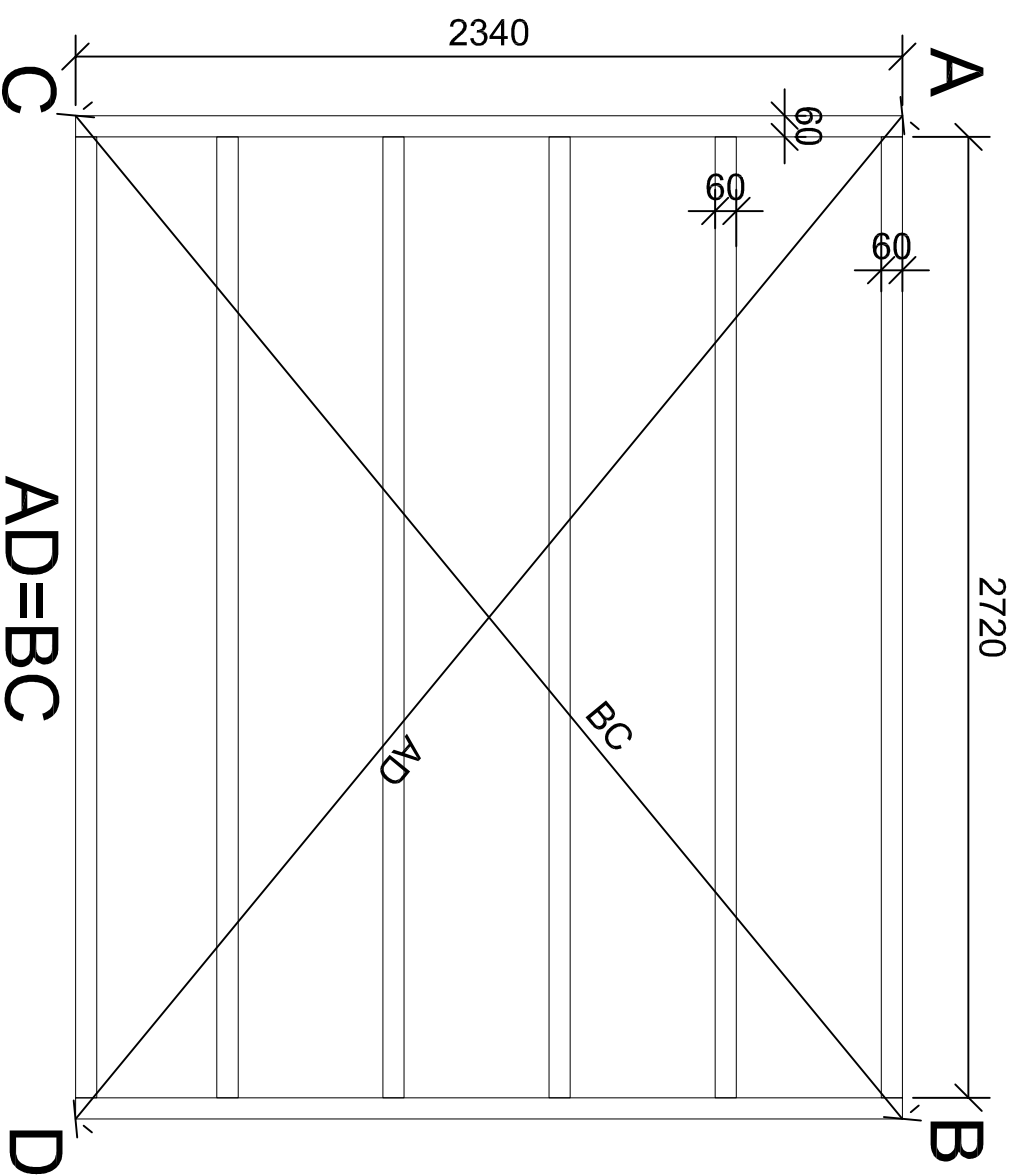
**MM 016 19mm**

3000x2500mm

# Foundation







# MM 016 3X2.5

**300x250 cm**  
**19 mm** 2015.06.05

# BE 2015

Date:

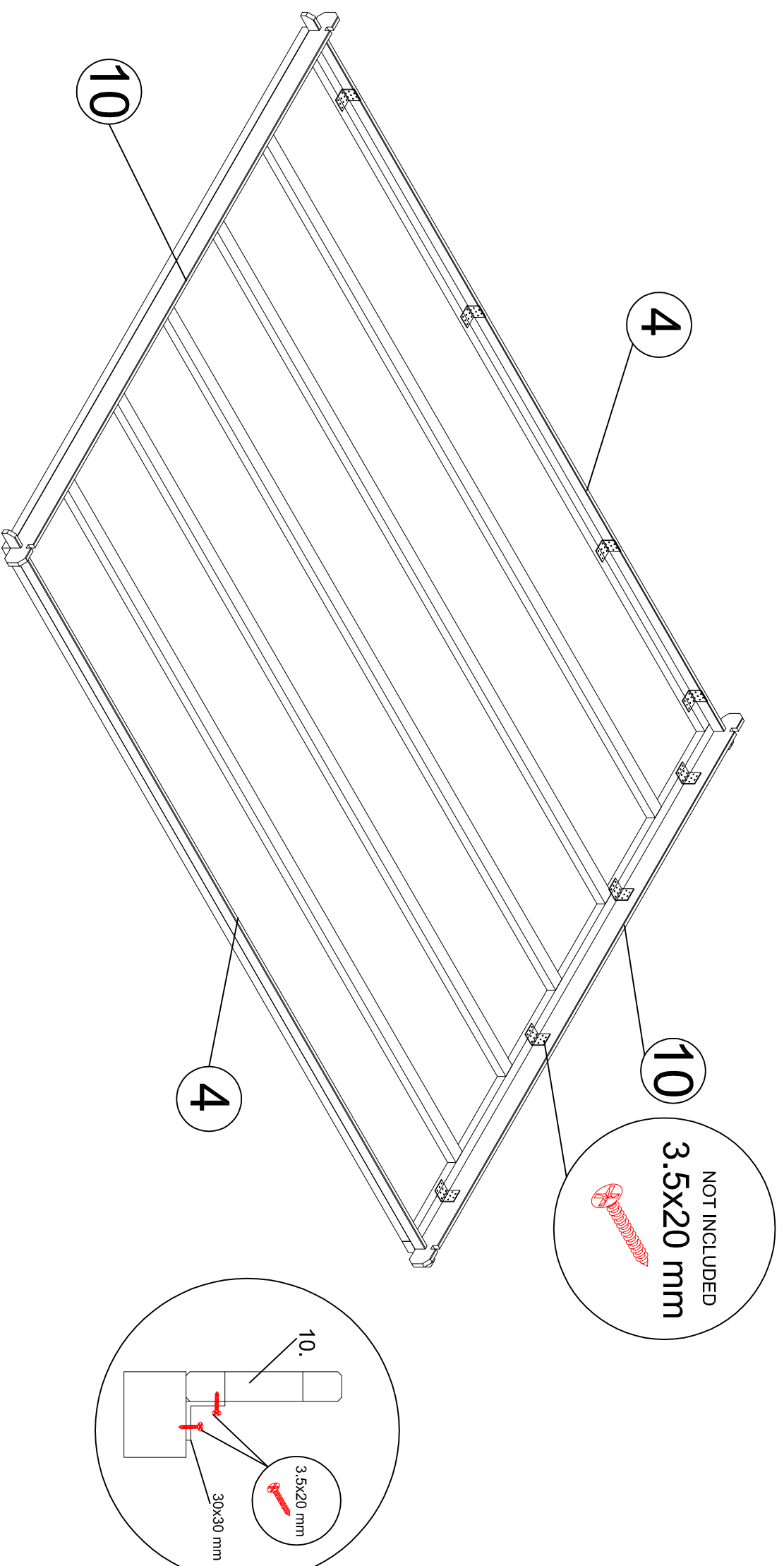
Degree <math><71^\circ</math>

Dimensions, mm

Pos.

Quantity

			A		B		C		1a	
			2720	40	55/60	1			6	
			2340	40	55/60	1a			2	

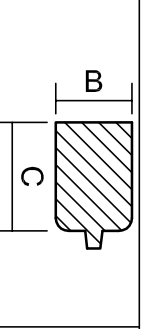
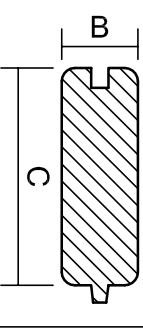


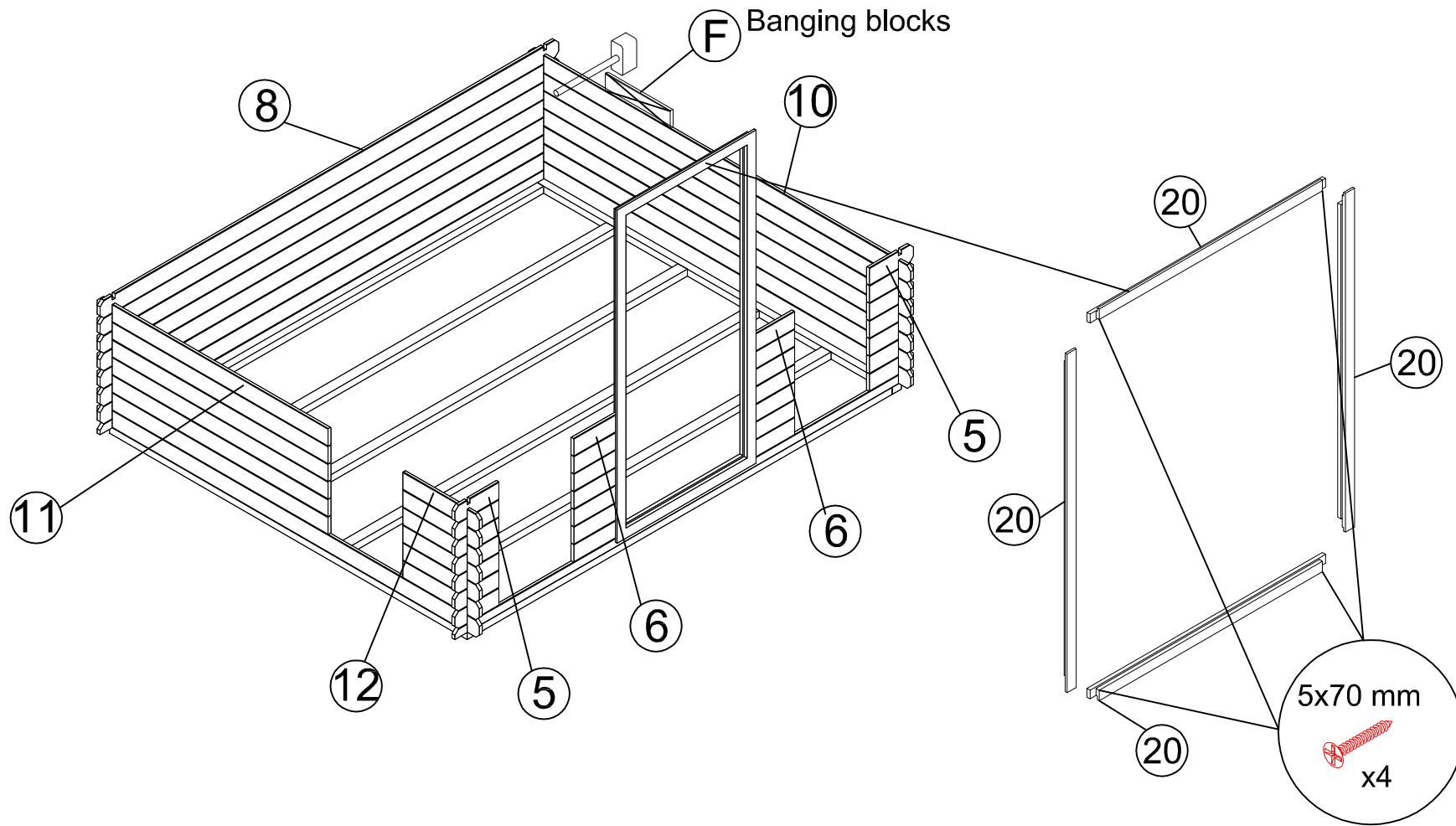
# MM 016 3X2.5

**300x250 cm**  
**19 mm** 2015.06.05

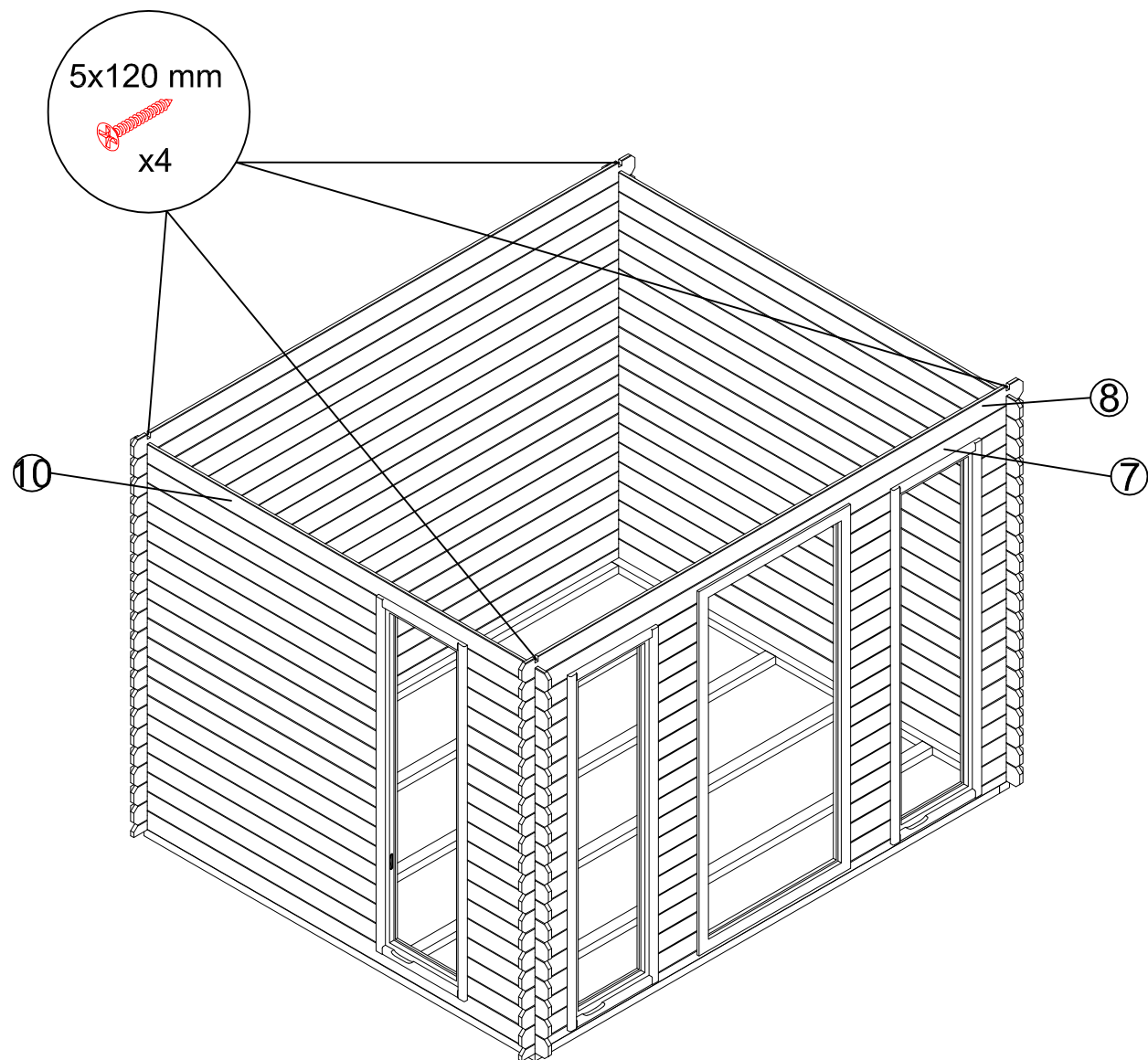
# BE 2015

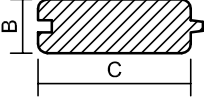
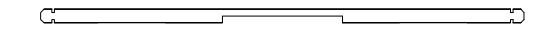
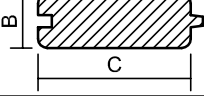
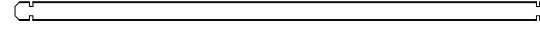
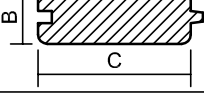
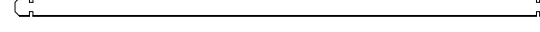
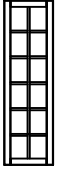
!Date

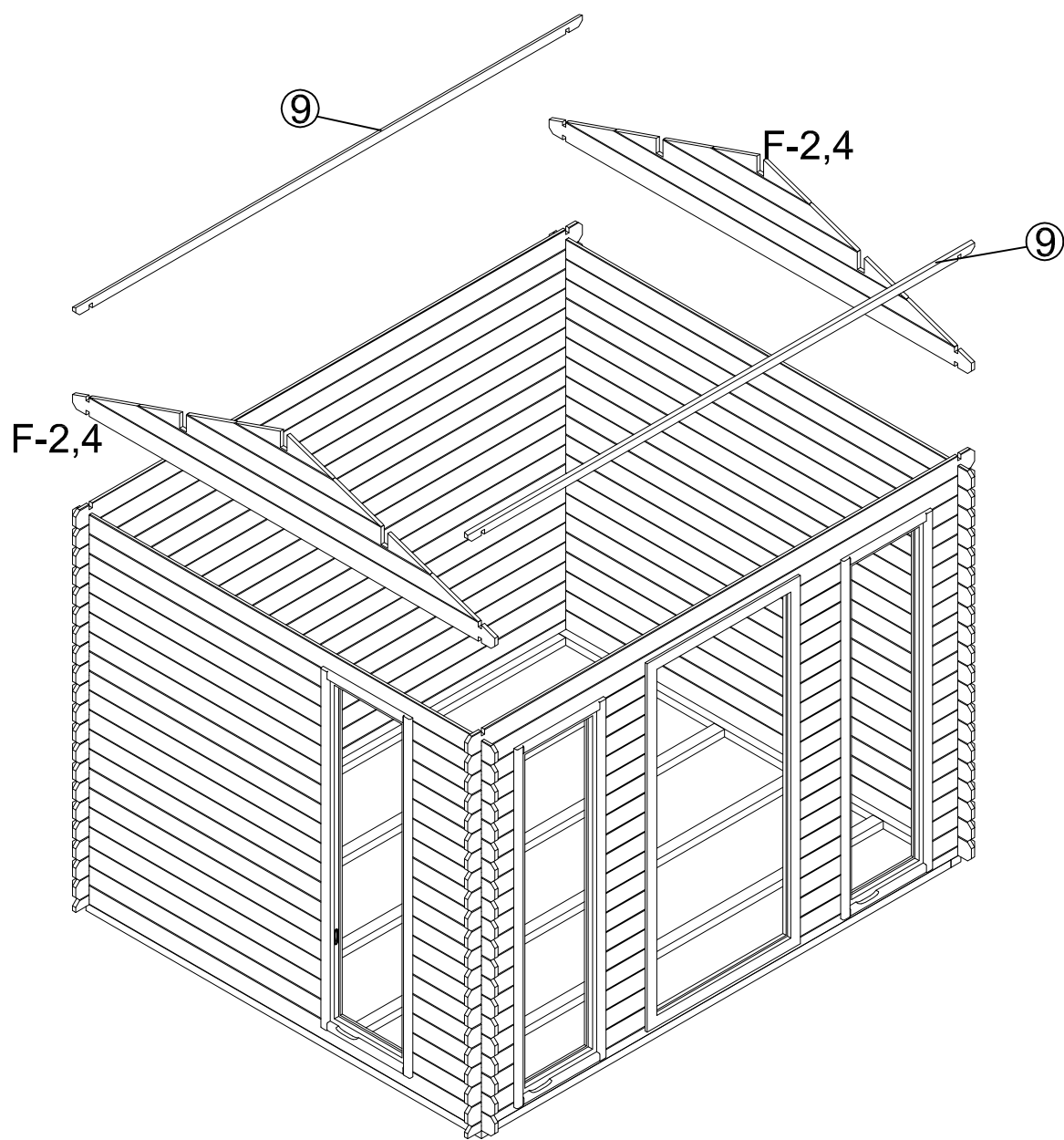
Degree <71°	Dimensions, mm			Pos.	Quantity
	A	B	C		
	3000	19	50	4	2
	2500	19	100	10	22

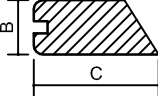




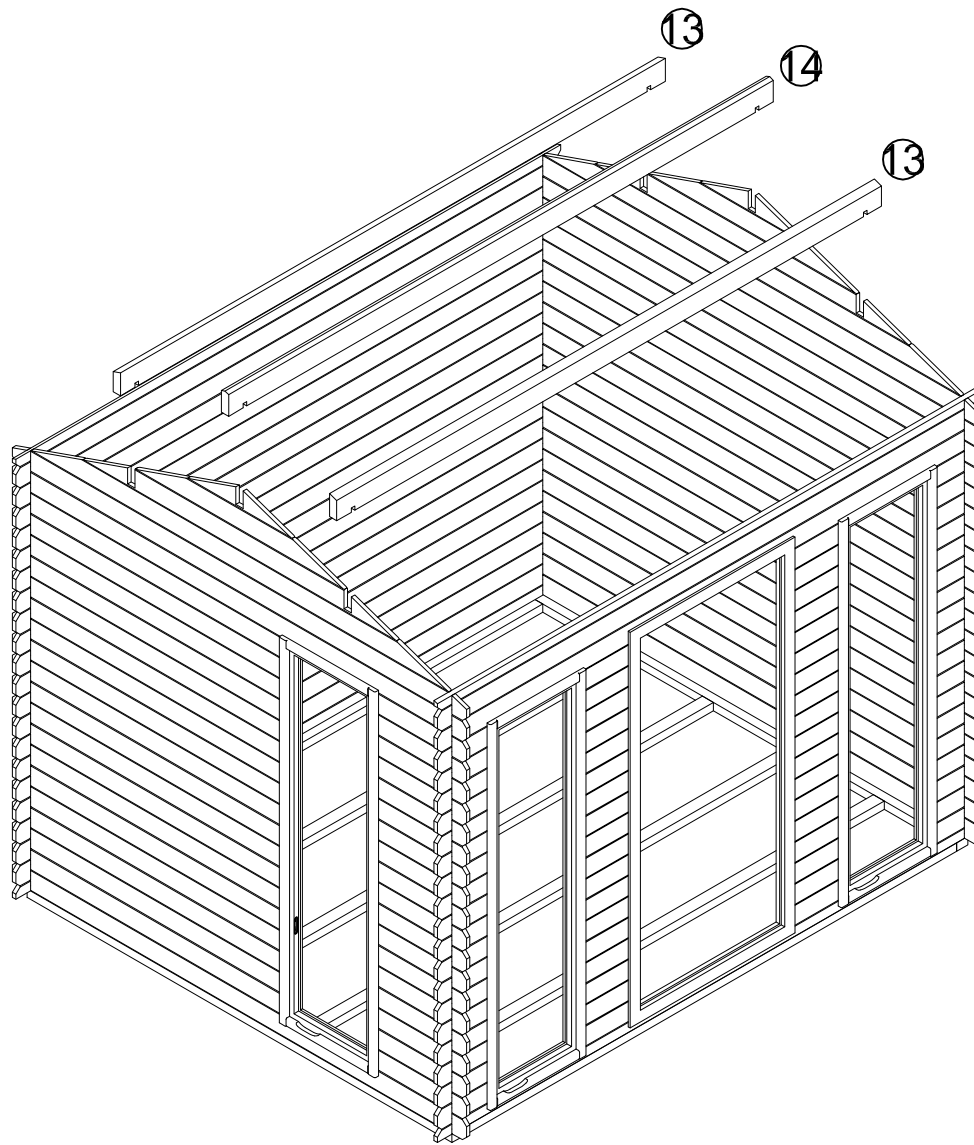
MM 016 3x2.5		300x250 cm			BE 2015	-Date-	
		19 mm 2015.06.05					
Degree <71°	Dimensions, mm			Pos.	Quantity	-Packing No.-	
	A	B	C				
		288	19	100	5		36
		287	19	100	6		36
		3000	19	100	8		21
		2500	19	100	10		22
		1510	19	100	11		18
		500	19	100	12	18	
		870	1850		20	1	
		300	19	100	F	6 Banging blocks	

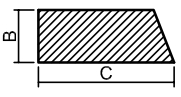
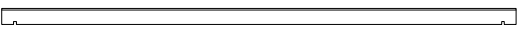
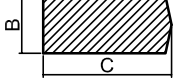



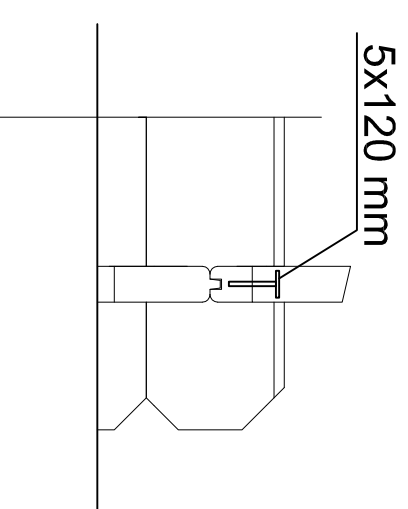
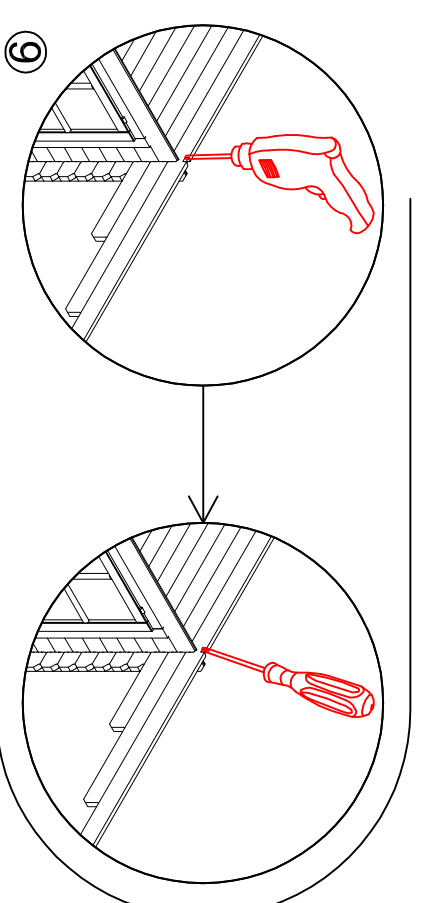
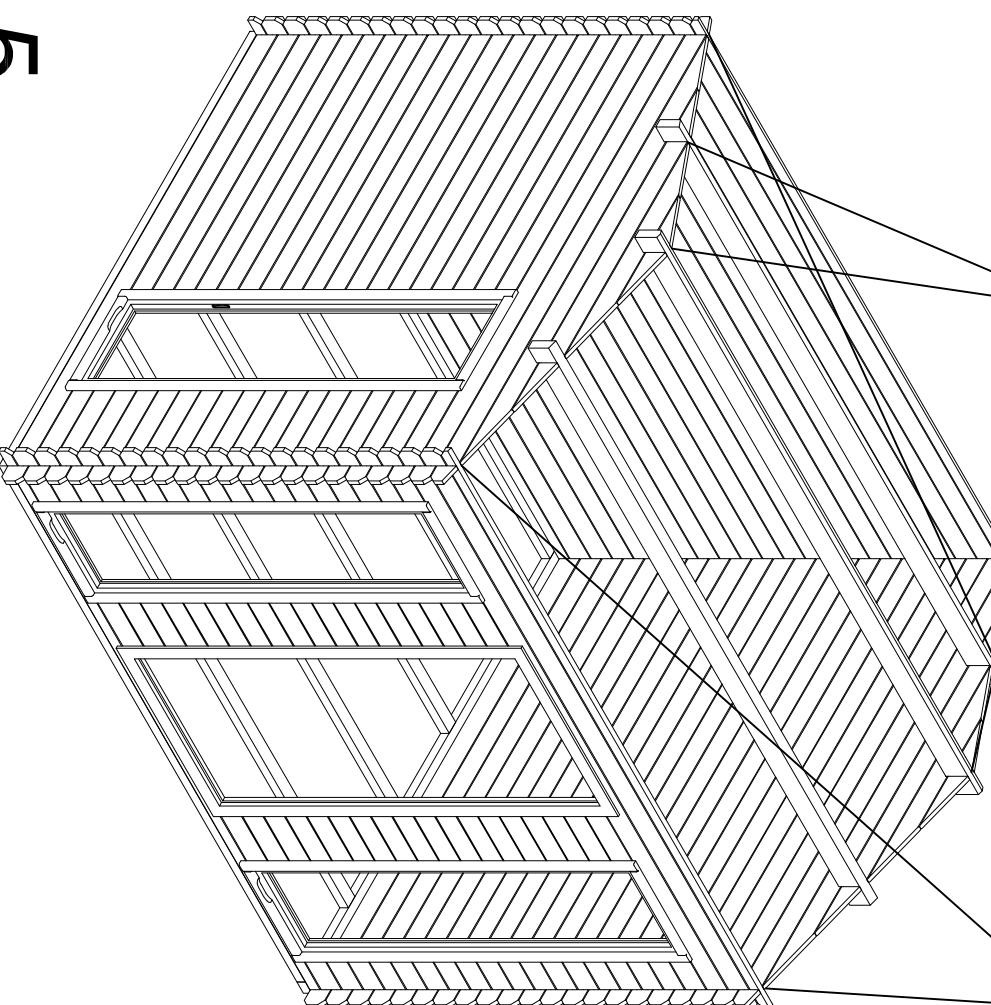
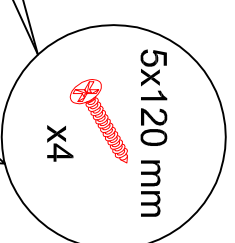
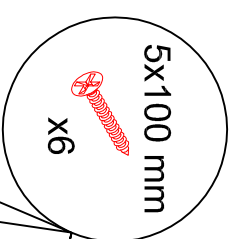
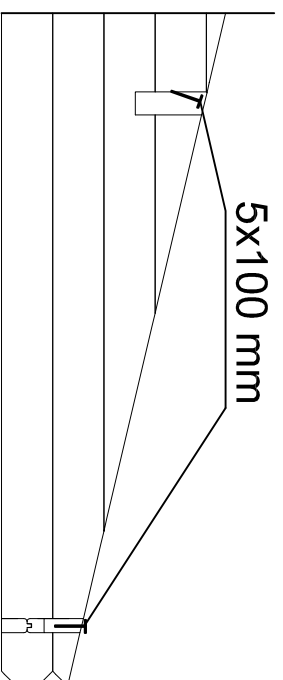
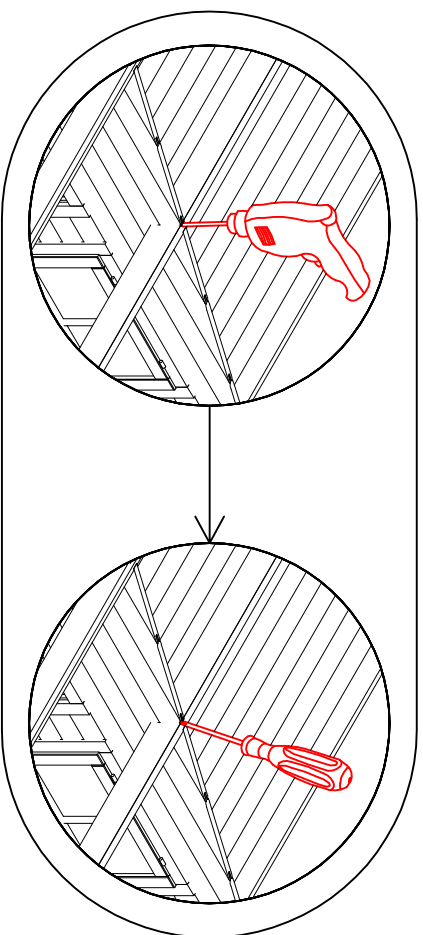
MM 016 3x2.5		300x250 cm			BE 2015	-Date-
		19 mm 2015.06.05				
Degree <71°		Dimensions, mm			Pos.	Quantity
		A	B	C		
		3000	19	100	7	1
		3000	19	100	8	21
		2500	19	100	10	22
		490	1800		21	3



<b>MM 016 3x2.5</b>			300x250 cm		<b>BE 2015</b>	<b>-Date-</b>
			19 mm 2015.06.05			
Degree <math><71^\circ</math>		Dimensions, mm			Pos.	Quantity
		<b>A</b>	<b>B</b>	<b>C</b>		
		3000	19	50	9	2
		2500	493		F-2,4	2

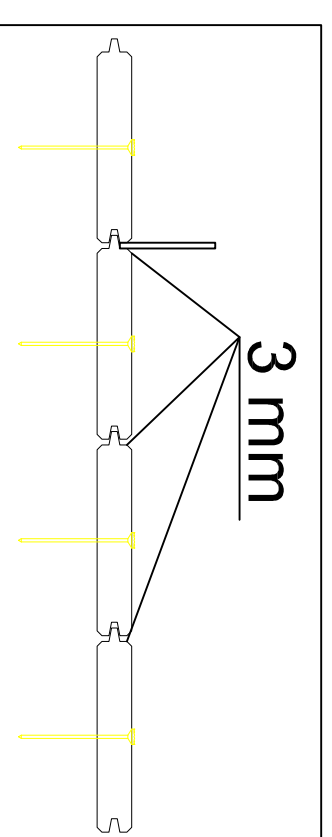
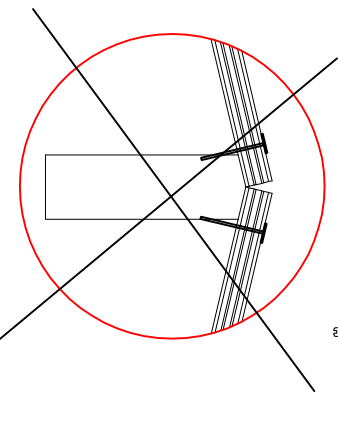
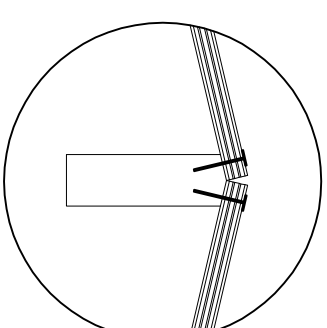
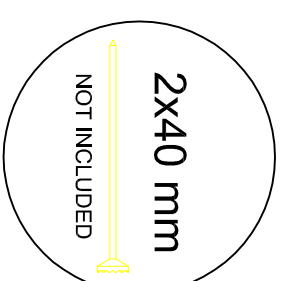
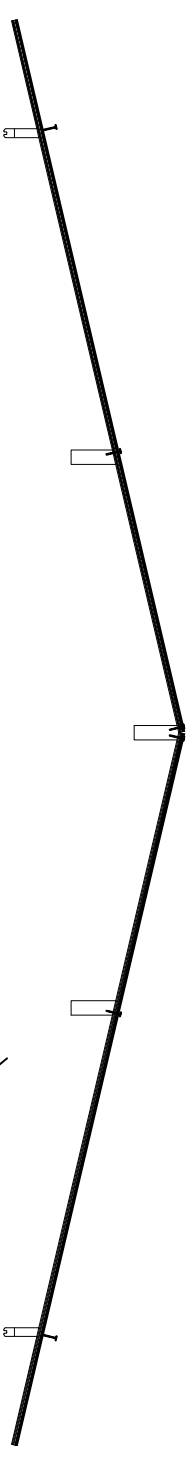
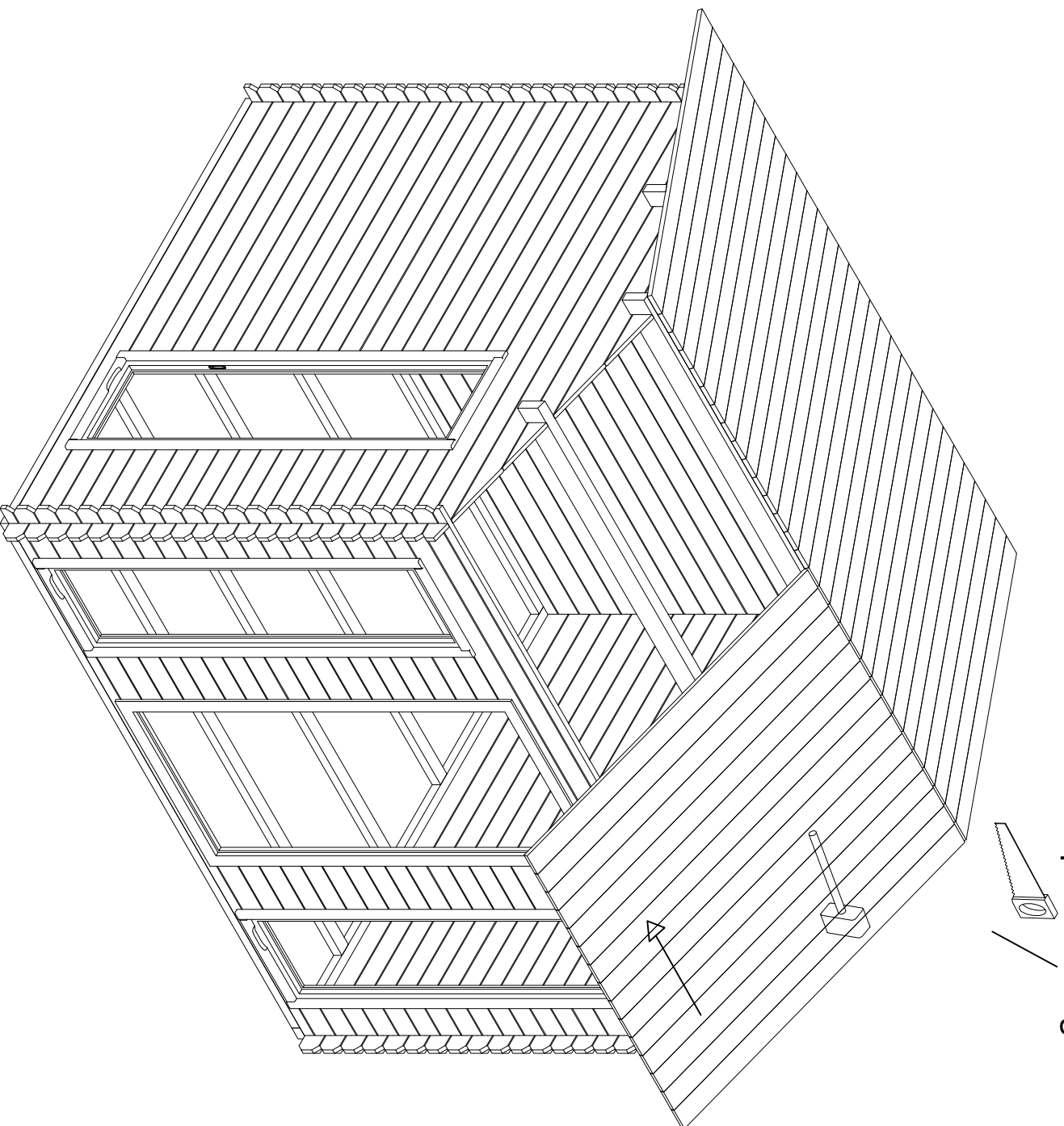


<b>MM 016 3x2.5</b>		<b>300x250 cm</b>			<b>BE 2015</b>	<b>-Date-</b>
		<b>19 mm</b> 2015.06.05				
Degree <71°		Dimensions, mm			Pos.	Quantity
		<b>A</b>	<b>B</b>	<b>C</b>		
		3000	40	110	13	2
		3000	40	110	14	1



MM 016 3X2.5

If the last board needs  
to be placed lengthwise cut



# MM 016 3X2.5

**300x250 cm**  
**19 mm** 2015.06.05

**BE 2015**

Date-

Degree <math><71^\circ</math>

Dimensions, mm

Pos.

Quantity

**A**

**B**

**C**

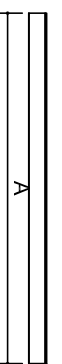
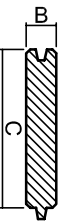
1670

19

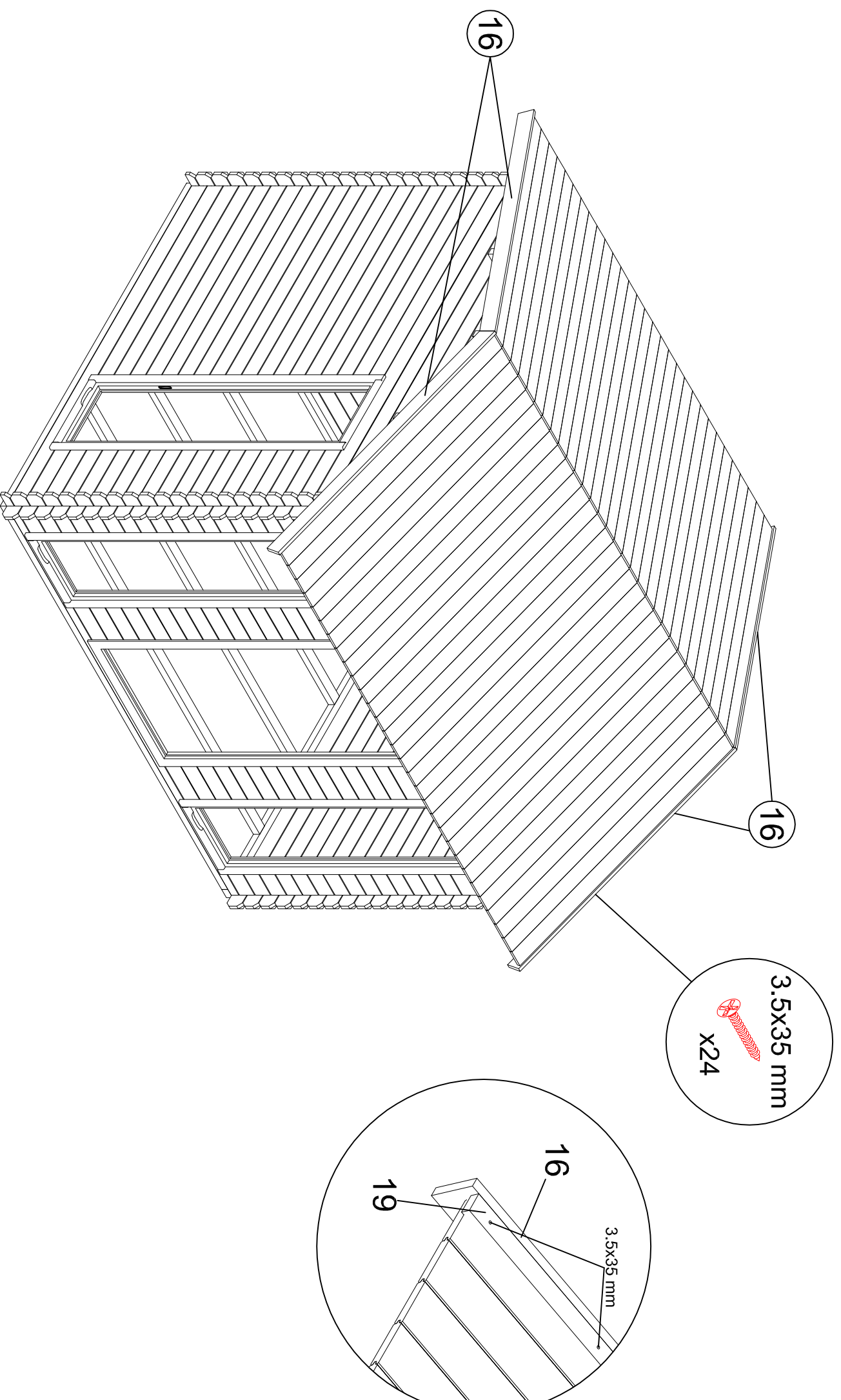
100/86

15

60/70







# MM 016 3X2.5

**300x250 cm**

**19 mm** 2015.06.05

# BE 2015

-Date-

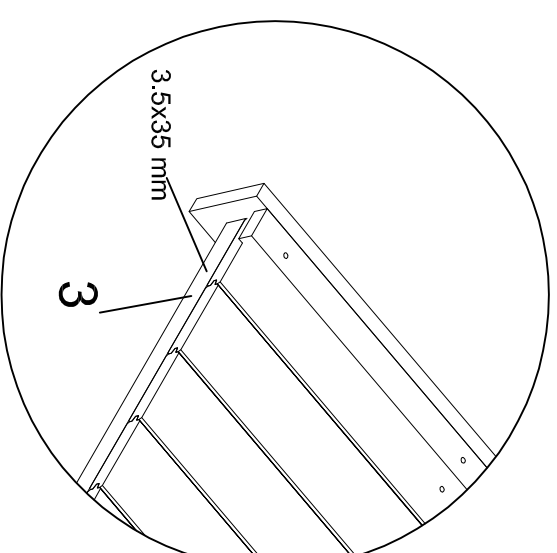
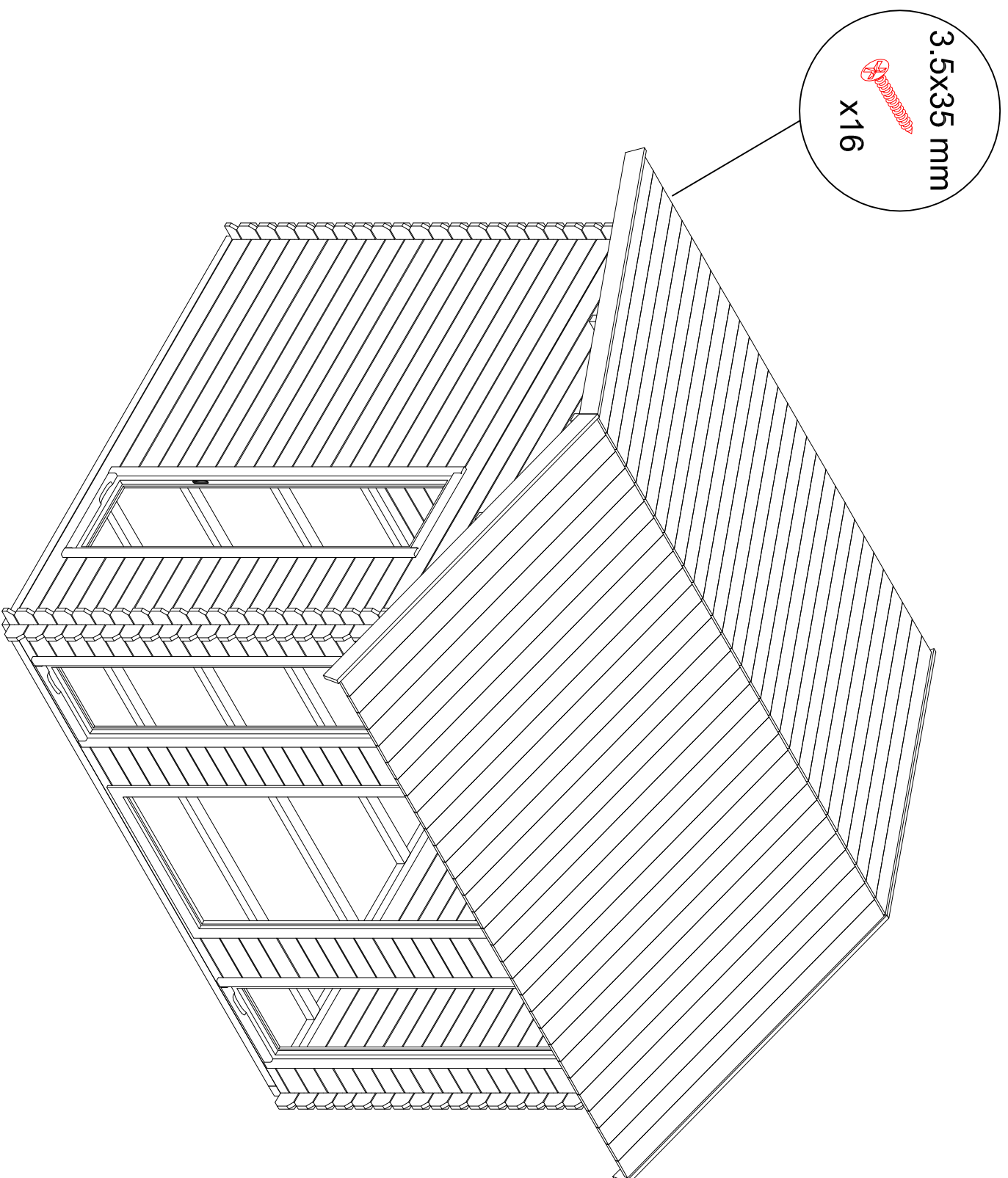
Degree <math><71^\circ</math>

Dimensions, mm

Pos.

Quantity

		A	B	C		
		1700	19	90	16	4
		1700	19	40	19	4



# MM 016 3X2.5

**300x250 cm**  
**19 mm** 2015.06.05

**BE 2015**

date:

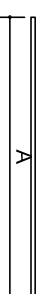
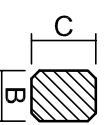
Degree <math><71^\circ</math>

Dimensions, mm

**A**   **B**   **C**

Pos.

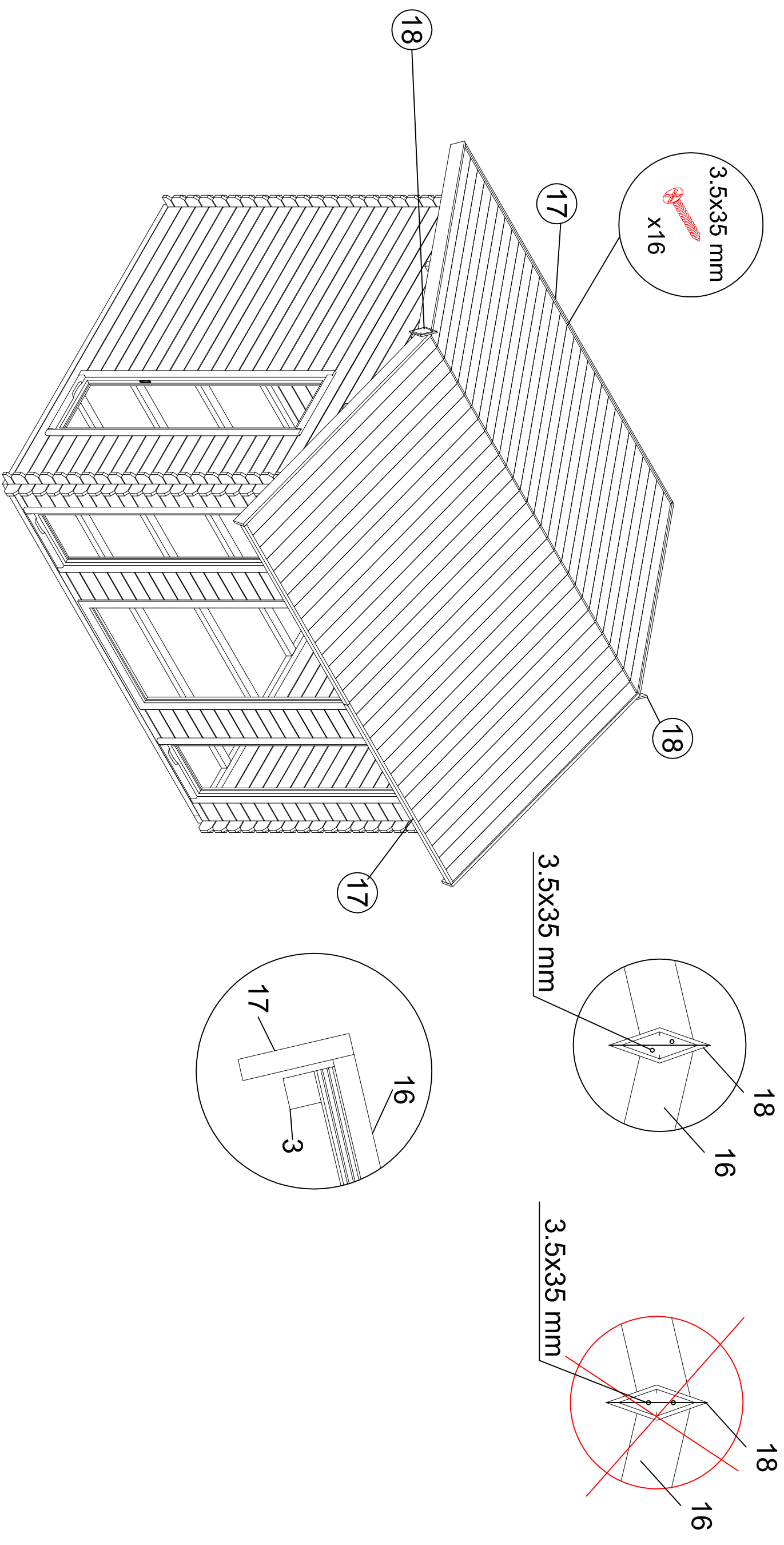
Quantity



19   24

3

~ 21 meters



# MM 016 3X2.5

**300x250 cm**  
**19 mm** 2015.06.05

**BE 2015**

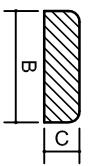
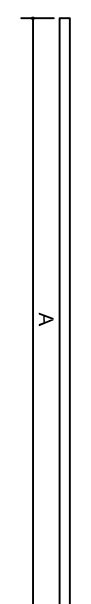
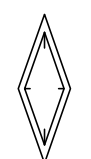
baté!

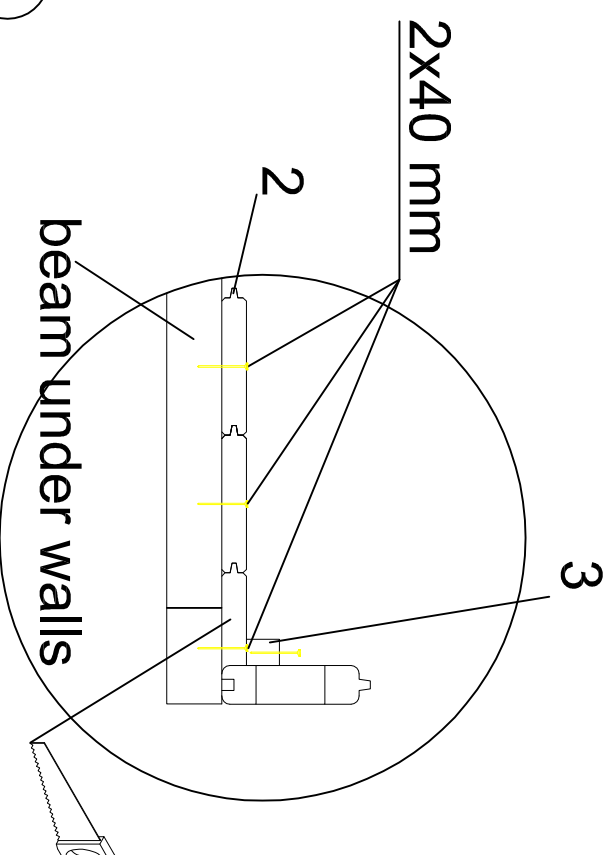
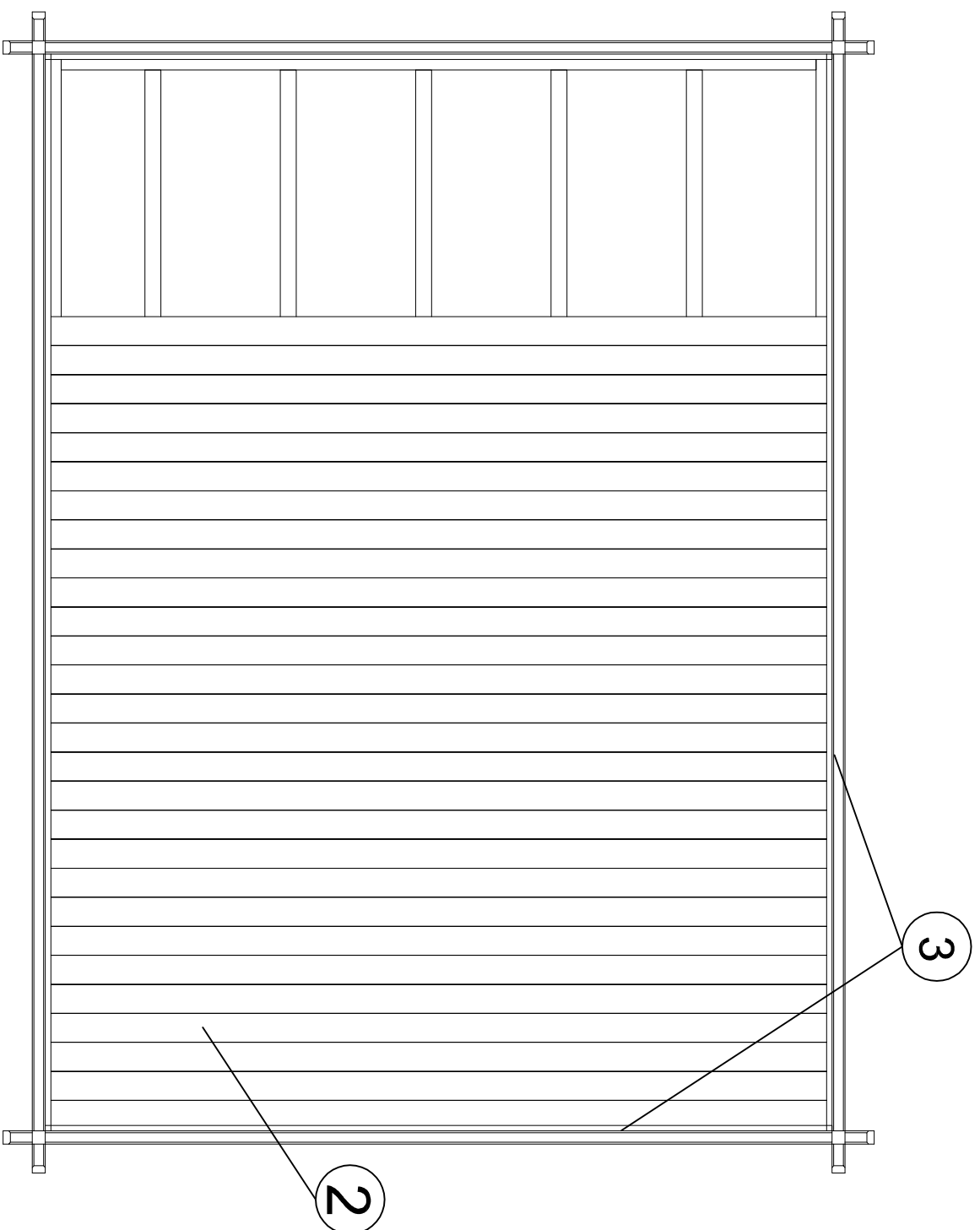
Degree <math><71^\circ</math>

Dimensions, mm

Pos.

Quantity

		Dimensions, mm			Pos.	Quantity
		A	B	C		
		1500	19	40	17	4
		200	100		18	2



If the last board needs  
to be placed lengthwise cut

# MM 016 3X2.5

**300x250 cm**  
**19 mm** 2015.06.05

# BE 2015

DATE

Degree <math><71^\circ</math>

Dimensions, mm

Pos.

Quantity

A

B

C

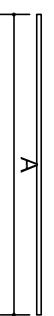
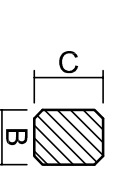
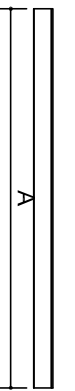
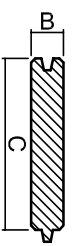
2292

19

100/86

2

28/33



19

24

3

~ 21 meters

